

EXHAUST MANIFOLD GASKET

431292



Description: EXHAUST MANIFOLD GASKET
SKU: 431292
OEM: 1833064C1
Product Group: ENGINE PARTS
Product Class: ENGINE GASKETS, O-RINGS & GASKET SETS
UPC Code: 193807057978
Sell Pack: 1 EA
Weight: 0.65 LBS
Warranty: 2 Years

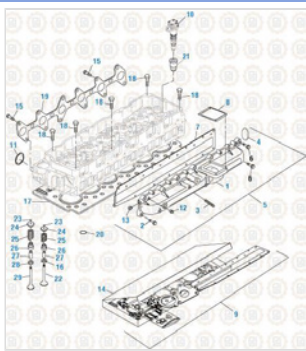
Details:

Exhaust Manifold Gasket
 Year: 2004-2015 International DT466E HEUI/DT530E HEUI Engines application

E-Catalog Pages:

Catalog Page

Description



International Engine 2019
 Cylinder Head Components - DT-466E / DT-570 (2004 & Up)

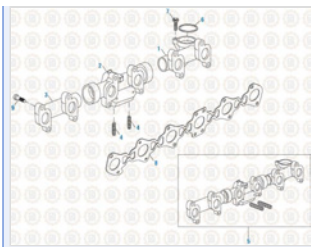
Copyright © 2020 PAI Industries, Inc.

All rights reserved. All content is property of PAI Industries, Inc. and may not be reproduced or redistributed in any form.

Any reference to OEM names or OEM product identification numbers/descriptions/model numbers is for identification only and does not indicate that it is an OEM part. PAI is not affiliated with Mack Truck, Inc.®, Volvo®, Fuller®, Cummins®, Eaton®, Rockwell®, Caterpillar®, Freightliner®, Hendrickson®, Kenworth®, Detroit Diesel®, International®, Peterbilt®, or Dana®. All Manufacturer's names, numbers, symbols and descriptions are used for reference only. It is not implied that any part listed is the product of these manufacturers.

EXHAUST MANIFOLD GASKET

431292



International Engine 2019
 Exhaust Manifold - DT-466E / DT-570 (2004 & Up)

Component Of:		
SKU	Image	Description
431295-150		HEAD GASKET KIT
431332		GASKET KIT
431337		GASKET/SEAL KIT

Cross Reference:	
Manufacturer	OEM Number
MACK	4333-1833064C1
MACK	4333-1886793C1
MACK	4333-1886793C2
NAVISTAR	1833064
NAVISTAR	1833064C1
NAVISTAR	1886793
NAVISTAR	1886793C1
NAVISTAR	1886793C2

Copyright © 2020 PAI Industries, Inc.
 All rights reserved. All content is property of PAI Industries, Inc. and may not be reproduced or redistributed in any form.

Any reference to OEM names or OEM product identification numbers/descriptions/model numbers is for identification only and does not indicate that it is an OEM part. PAI is not affiliated with Mack Truck, Inc.®, Volvo®, Fuller®, Cummins®, Eaton®, Rockwell®, Caterpillar®, Freightliner®, Hendrickson®, Kenworth®, Detroit Diesel®, International®, Peterbilt®, or Dana®. All Manufacturer's names, numbers, symbols and descriptions are used for reference only. It is not implied that any part listed is the product of these manufacturers.