

REAR SEAL KIT

436002



Description: REAR SEAL KIT
SKU: 436002
OEM: 1809964C92
Product Group: ENGINE PARTS
Product Class: CRANKSHAFTS & SEALS
UPC Code: 193807072858
Sell Pack: 1 EA
Weight: 0.79 LBS
Warranty: 2 Years

Details:

Rear Seal Kit
 with thick Wear Ring
 Year: 1977-1993 International DT466/DT360 Truck Engine application

E-Catalog Pages:

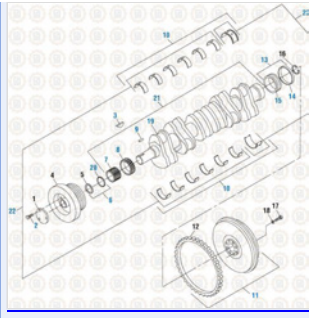
Catalog Page	Description
	<p>International Engine 2019 Crankshaft - DT-466 (Early to 1993)</p>

Copyright © 2020 PAI Industries, Inc.
 All rights reserved. All content is property of PAI Industries, Inc, and may not be reproduced or redistributed in any form.

Any reference to OEM names or OEM product identification numbers/descriptions/model numbers is for identification only and does not indicate that it is an OEM part. PAI is not affiliated with Mack Truck, Inc.®, Volvo®, Fuller®, Cummins®, Eaton®, Rockwell®, Caterpillar®, Freightliner®, Hendrickson®, Kenworth®, Detroit Diesel®, International®, Peterbilt®, or Dana®. All Manufacturer's names, numbers, symbols and descriptions are used for reference only. It is not implied that any part listed is the product of these manufacturers.

REAR SEAL KIT

436002



International Engine 2019
Crankshaft - DT-360 Series

Cross Reference:

Manufacturer	OEM Number
MACK	4333-1809964C92
MACK	4333-691631C91
NAVISTAR	1809964
NAVISTAR	1809964C92
NAVISTAR	691631
NAVISTAR	691631C91
NAVISTAR	686444
NAVISTAR	686444C91
MACK	4333-686444C91
NAVISTAR	117161R1
NAVISTAR	117161

Copyright © 2020 PAI Industries, Inc.

All rights reserved. All content is property of PAI Industries, Inc. and may not be reproduced or redistributed in any form.

Any reference to OEM names or OEM product identification numbers/descriptions/model numbers is for identification only and does not indicate that it is an OEM part. PAI is not affiliated with Mack Truck, Inc.®, Volvo®, Fuller®, Cummins®, Eaton®, Rockwell®, Caterpillar®, Freightliner®, Hendrickson®, Kenworth®, Detroit Diesel®, International®, Peterbilt®, or Dana®. All Manufacturer's names, numbers, symbols and descriptions are used for reference only. It is not implied that any part listed is the product of these manufacturers.