

## CONNECTING ROD BUSHING

451502

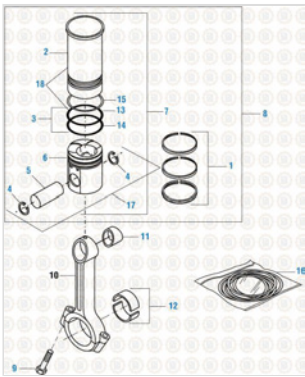


<b>Description:</b>	CONNECTING ROD BUSHING
<b>SKU:</b>	451502
<b>OEM:</b>	1818598C1
<b>Product Group:</b>	ENGINE PARTS
<b>Product Class:</b>	ENGINE BEARINGS (ALL)
<b>UPC Code:</b>	193807148140
<b>Sell Pack:</b>	6 EA (Available to buy in increments of 6)
<b>Weight:</b>	1.02 LBS
<b>Package Dimensions (LxWxH):</b>	2 x 2 x 9 inches
<b>Warranty:</b>	2 Years

**Details:**

Connecting Rod Bushing

Year: 1993-2003 International DT408/DT466/530/DT466E HEUI/DT530E HEUI Engines application

**E-Catalog Pages:****Catalog Page****Description****International Engine 2019**

One Piece Piston - DT-466 / DT-530 (1993-1997 PLN)

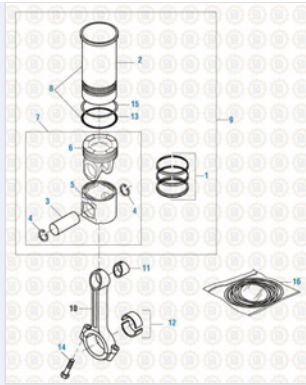
**Copyright © 2020 PAI Industries, Inc.**

All rights reserved. All content is property of PAI Industries, Inc. and may not be reproduced or redistributed in any form.

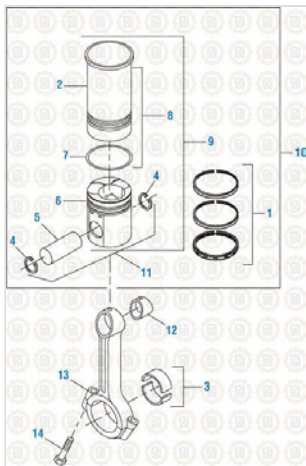
Any reference to OEM names or OEM product identification numbers/descriptions/model numbers is for identification only and does not indicate that it is an OEM part. PAI is not affiliated with Mack Truck, Inc.®, Volvo®, Fuller®, Cummins®, Eaton®, Rockwell®, Caterpillar®, Freightliner®, Hendrickson®, Kenworth®, Detroit Diesel®, International®, Peterbilt®, or Dana®. All Manufacturer's names, numbers, symbols and descriptions are used for reference only. It is not implied that any part listed is the product of these manufacturers.

# CONNECTING ROD BUSHING

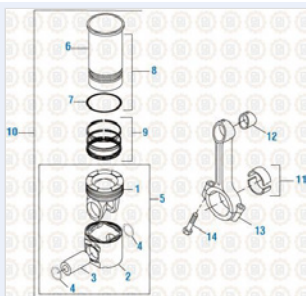
# 451502



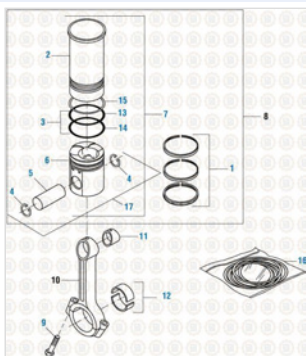
**International Engine 2019**  
Two Piece Piston - DT-466 / DT-530 (1993-1997 PLN)



**International Engine 2019**  
One Piece Piston - DT-466E / DT-530E (2000-2003)



**International Engine 2019**  
Two Piece Piston - DT-466E / DT-530E (2000-2003)



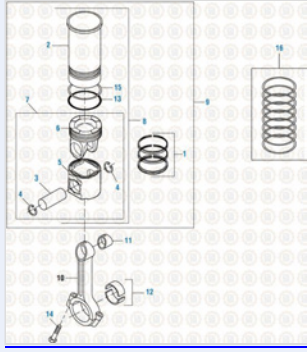
**International Engine 2019**  
One Piece Piston - DT-466E / DT-530E (1993-1999 HEUI)

Copyright © 2020 PAI Industries, Inc.  
All rights reserved. All content is property of PAI Industries, Inc. and may not be reproduced or redistributed in any form.

Any reference to OEM names or OEM product identification numbers/descriptions/model numbers is for identification only and does not indicate that it is an OEM part. PAI is not affiliated with Mack Truck, Inc.®, Volvo®, Fuller®, Cummins®, Eaton®, Rockwell®, Caterpillar®, Freightliner®, Hendrickson®, Kenworth®, Detroit Diesel®, International®, Peterbilt®, or Dana®. All Manufacturer's names, numbers, symbols and descriptions are used for reference only. It is not implied that any part listed is the product of these manufacturers.

## CONNECTING ROD BUSHING

451502



**International Engine 2019**  
Two Piece Piston - DT-466E / DT-530E (1993-1999 HEUI)

**Cross Reference:**

Manufacturer	OEM Number
MACK	4333-1818598C1
MACK	4333-1819824C1
NAVISTAR	1818598
NAVISTAR	1818598C1
NAVISTAR	1819824
NAVISTAR	1819824C1

Copyright © 2020 PAI Industries, Inc.

All rights reserved. All content is property of PAI Industries, Inc. and may not be reproduced or redistributed in any form.

Any reference to OEM names or OEM product identification numbers/descriptions/model numbers is for identification only and does not indicate that it is an OEM part. PAI is not affiliated with Mack Truck, Inc.®, Volvo®, Fuller®, Cummins®, Eaton®, Rockwell®, Caterpillar®, Freightliner®, Hendrickson®, Kenworth®, Detroit Diesel®, International®, Peterbilt®, or Dana®. All Manufacturer's names, numbers, symbols and descriptions are used for reference only. It is not implied that any part listed is the product of these manufacturers.