

STANDARD ROD BEARING

470130



Description:	STANDARD ROD BEARING
SKU:	470130
OEM:	1836020C91
Product Group:	ENGINE PARTS
Product Class:	ENGINE BEARINGS (ALL)
UPC Code:	193807013691
Sell Pack:	1 EA
Weight:	0.50 LBS
Package Dimensions (LxWxH):	5 x 5 x 5 inches
Warranty:	2 Years



Details:

Standard Rod Bearing
 Year: 2000-2015 International DT530E HEUI/DT570/DT466E HEUI Engines application

Substitute:

SKU	Sell Pack	Weight	Warranty	Description
470130HP	1	0.53 LBS	3 Years	HIGH PERFORMANCE STANDARD BEARING

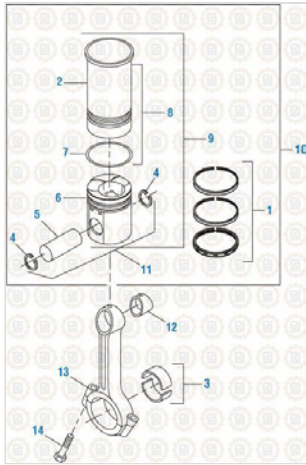
E-Catalog Pages:

Catalog Page	Description

Copyright © 2020 PAI Industries, Inc.
 All rights reserved. All content is property of PAI Industries, Inc, and may not be reproduced or redistributed in any form.
 Any reference to OEM names or OEM product identification numbers/descriptions/model numbers is for identification only and does not indicate that it is an OEM part. PAI is not affiliated with Mack Truck, Inc.®, Volvo®, Fuller®, Cummins®, Eaton®, Rockwell®, Caterpillar®, Freightliner®, Hendrickson®, Kenworth®, Detroit Diesel®, International®, Peterbilt®, or Dana®. All Manufacturer's names, numbers, symbols and descriptions are used for reference only. It is not implied that any part listed is the product of these manufacturers.

STANDARD ROD BEARING

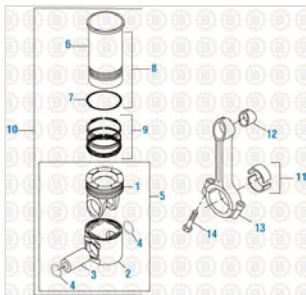
470130



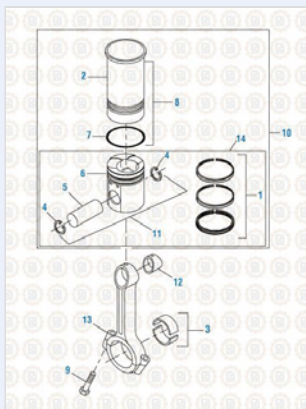
International Engine 2019
One Piece Piston - DT-466E / DT-530E (2000-2003)



International Engine 2019
Rebuild Kit Breakdown - DT-466E / DT-530E (2000-2003)



International Engine 2019
Two Piece Piston - DT-466E / DT-530E (2000-2003)



International Engine 2019
Pistons, Cylinder Kits, Rod Bearings and Ring Sets - DT-466E / DT-570 (2004 & Up)

Copyright © 2020 PAI Industries, Inc.
All rights reserved. All content is property of PAI Industries, Inc. and may not be reproduced or redistributed in any form.

Any reference to OEM names or OEM product identification numbers/descriptions/model numbers is for identification only and does not indicate that it is an OEM part. PAI is not affiliated with Mack Truck, Inc.®, Volvo®, Fuller®, Cummins®, Eaton®, Rockwell®, Caterpillar®, Freightliner®, Hendrickson®, Kenworth®, Detroit Diesel®, International®, Peterbilt®, or Dana®. All Manufacturer's names, numbers, symbols and descriptions are used for reference only. It is not implied that any part listed is the product of these manufacturers.

STANDARD ROD BEARING

470130



International Engine 2019
 Rebuild Kit Breakdown - DT-466E / DT-570 (2004 & Up)






Component Of:		
SKU	Image	Description
466111-001		ENGINE KIT
466111-002		ENGINE KIT
466112-001	.	ENGINE KIT
466112-002	.	ENGINE KIT
466114-001		ENGINE KIT
466114-002	.	ENGINE KIT
466114-003	.	ENGINE KIT
466115-001		ENGINE KIT
466115-002	.	ENGINE KIT

Copyright © 2020 PAI Industries, Inc.
 All rights reserved. All content is property of PAI Industries, Inc. and may not be reproduced or redistributed in any form.

Any reference to OEM names or OEM product identification numbers/descriptions/model numbers is for identification only and does not indicate that it is an OEM part. PAI is not affiliated with Mack Truck, Inc.®, Volvo®, Fuller®, Cummins®, Eaton®, Rockwell®, Caterpillar®, Freightliner®, Hendrickson®, Kenworth®, Detroit Diesel®, International®, Peterbilt®, or Dana®. All Manufacturer's names, numbers, symbols and descriptions are used for reference only. It is not implied that any part listed is the product of these manufacturers.

STANDARD ROD BEARING

470130

466115-017		ENGINE KIT
466116-001		ENGINE KIT
466116-002	.	ENGINE KIT
466117-001		ENGINE KIT
466118-001		ENGINE KIT
466119-001		ENGINE KIT
466120-001	.	ENGINE KIT
466121-001	.	ENGINE KIT
466121-017	.	ENGINE KIT
466123-001	.	ENGINE KIT
466123-017	.	ENGINE KIT
466124-001	.	ENGINE KIT
466223-017	.	INFRAME ENGINE KIT
530101-001	.	ENGINE KIT
530101-002	.	ENGINE KIT
530101-017	.	ENGINE KIT
530102-001	.	ENGINE KIT

Copyright © 2020 PAI Industries, Inc.
 All rights reserved. All content is property of PAI Industries, Inc. and may not be reproduced or redistributed in any form.

Any reference to OEM names or OEM product identification numbers/descriptions/model numbers is for identification only and does not indicate that it is an OEM part. PAI is not affiliated with Mack Truck, Inc.®, Volvo®, Fuller®, Cummins®, Eaton®, Rockwell®, Caterpillar®, Freightliner®, Hendrickson®, Kenworth®, Detroit Diesel®, International®, Peterbilt®, or Dana®. All Manufacturer's names, numbers, symbols and descriptions are used for reference only. It is not implied that any part listed is the product of these manufacturers.

STANDARD ROD BEARING

470130

530102-017	.	ENGINE KIT
530102-018	.	ENGINE KIT
530131-001	.	INFRAME ENGINE KIT
530131-002	.	INFRAME ENGINE KIT
530131-017	.	INFRAME ENGINE KIT
570101-001	.	ENGINE KIT
570101-017	.	ENGINE KIT

Cross Reference:	
Manufacturer	OEM Number
MACK	4333-1830149C1
MACK	4333-1836020C91
MACK	4333-1842570C92
NAVISTAR	1830149
NAVISTAR	1830149C1
NAVISTAR	1836020
NAVISTAR	1836020C91
NAVISTAR	1841931
NAVISTAR	1841931C1
NAVISTAR	1842570
NAVISTAR	1842570C91
NAVISTAR	1842570C92
NAVISTAR	1888609
NAVISTAR	1888609C1
NAVISTAR	1888609C2

Copyright © 2020 PAI Industries, Inc.

All rights reserved. All content is property of PAI Industries, Inc, and may not be reproduced or redistributed in any form.

Any reference to OEM names or OEM product identification numbers/descriptions/model numbers is for identification only and does not indicate that it is an OEM part. PAI is not affiliated with Mack Truck, Inc.®, Volvo®, Fuller®, Cummins®, Eaton®, Rockwell®, Caterpillar®, Freightliner®, Hendrickson®, Kenworth®, Detroit Diesel®, International®, Peterbilt®, or Dana®. All Manufacturer's names, numbers, symbols and descriptions are used for reference only. It is not implied that any part listed is the product of these manufacturers.