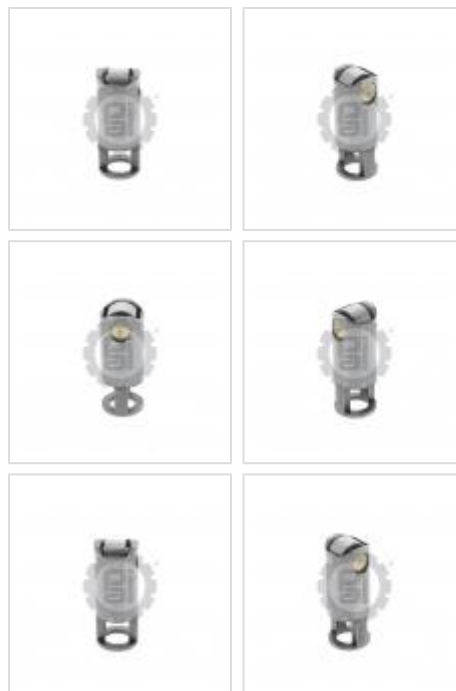


ROLLER LIFTER

490064



Description:	ROLLER LIFTER
SKU:	490064
OEM:	1850160C3
Product Group:	ENGINE PARTS
Product Class:	VALVES & VALVE TRAIN, ROCKER COVER PARTS
UPC Code:	193807102814
Sell Pack:	1 EA
Weight:	0.51 LBS
Package Dimensions (LxWxH):	3 x 5 x 2 inches
Warranty:	2 Years



Details:

Roller Lifter
 Year: 2004-2015 International 2004-2015 International DT566E HEUI/DT570/DT466E HEUI Engines application

E-Catalog Pages:

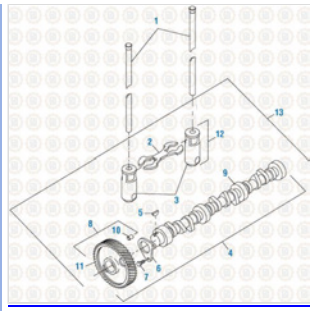
Catalog Page	Description

Copyright © 2020 PAI Industries, Inc.
 All rights reserved. All content is property of PAI Industries, Inc, and may not be reproduced or redistributed in any form.

Any reference to OEM names or OEM product identification numbers/descriptions/model numbers is for identification only and does not indicate that it is an OEM part. PAI is not affiliated with Mack Truck, Inc.®, Volvo®, Fuller®, Cummins®, Eaton®, Rockwell®, Caterpillar®, Freightliner®, Hendrickson®, Kenworth®, Detroit Diesel®, International®, Peterbilt®, or Dana®. All Manufacturer's names, numbers, symbols and descriptions are used for reference only. It is not implied that any part listed is the product of these manufacturers.


ROLLER LIFTER

490064



International Engine 2019
 Camshaft - DT-466E / DT-570 (2004 & Up)

Component Of:

SKU	Image	Description
490066		TAPPER LIFTER KIT

Cross Reference:

Manufacturer	OEM Number
MACK	4333-1850160C3
NAVISTAR	1850160
NAVISTAR	1850160C1
NAVISTAR	1850160C2
NAVISTAR	1850160C3

Copyright © 2020 PAI Industries, Inc.
 All rights reserved. All content is property of PAI Industries, Inc, and may not be reproduced or redistributed in any form.

Any reference to OEM names or OEM product identification numbers/descriptions/model numbers is for identification only and does not indicate that it is an OEM part. PAI is not affiliated with Mack Truck, Inc.®, Volvo®, Fuller®, Cummins®, Eaton®, Rockwell®, Caterpillar®, Freightliner®, Hendrickson®, Kenworth®, Detroit Diesel®, International®, Peterbilt®, or Dana®. All Manufacturer's names, numbers, symbols and descriptions are used for reference only. It is not implied that any part listed is the product of these manufacturers.