

# SEAL

# 492010



**Description:** SEAL  
**SKU:** 492010  
**OEM:** 1823925C1  
**Product Group:** ENGINE PARTS  
**Product Class:** VALVES & VALVE TRAIN, ROCKER COVER PARTS  
**UPC Code:** 193807111052  
**Sell Pack:** 6 EA  
 (Available to buy in increments of 6)  
**Weight:** 0.26 LBS  
**Warranty:** 2 Years



**Details:**

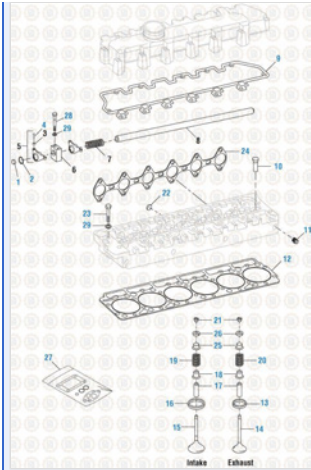
Seal  
 3/8in Stem  
 Year: 1993-2003 International DT530E HEUI/DT466E HEUI/DT530 Engines application

**E-Catalog Pages:**

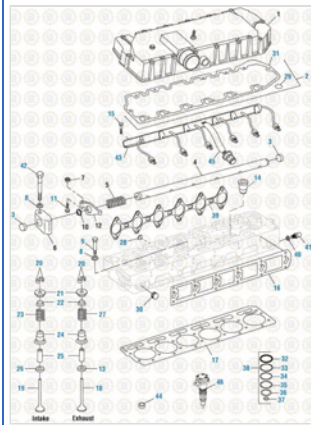
Catalog Page	Description
	<p><b>O-Rings</b>                      Valve Seals</p>

# SEAL

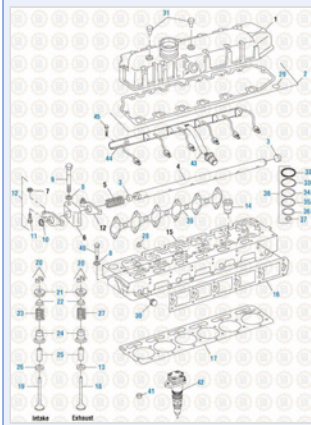
# 492010



**International Engine 2019**  
Cylinder Head Components - DT-466 / DT-530 (1993-1997 PLN)



**International Engine 2019**  
Cylinder Head Components - DT-466E / DT-530E (2000-2003)



**International Engine 2019**  
Cylinder Head Components - DT-466E / DT-530E (1993-1999 HEUI)

**Cross Reference:**

Manufacturer	OEM Number
NAVISTAR	1823925
NAVISTAR	1823925C1

Copyright © 2020 PAI Industries, Inc.  
All rights reserved. All content is property of PAI Industries, Inc. and may not be reproduced or redistributed in any form.

Any reference to OEM names or OEM product identification numbers/descriptions/model numbers is for identification only and does not indicate that it is an OEM part. PAI is not affiliated with Mack Truck, Inc.®, Volvo®, Fuller®, Cummins®, Eaton®, Rockwell®, Caterpillar®, Freightliner®, Hendrickson®, Kenworth®, Detroit Diesel®, International®, Peterbilt®, or Dana®. All Manufacturer's names, numbers, symbols and descriptions are used for reference only. It is not implied that any part listed is the product of these manufacturers.