

# VALVE SEAL

# 492011



**Description:** VALVE SEAL  
**SKU:** 492011  
**OEM:** 1833432C1  
**Product Group:** ENGINE PARTS  
**Product Class:** VALVES & VALVE TRAIN, ROCKER COVER PARTS  
**UPC Code:** 193807111069  
**Sell Pack:** 6 EA  
 (Available to buy in increments of 6)  
**Weight:** 0.19 LBS  
**Warranty:** 2 Years

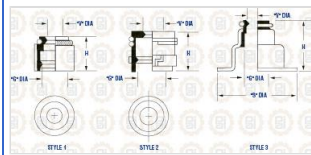


**Details:**

Valve Seal  
 Interational 2004 and up DT466E, 570 Application

**E-Catalog Pages:**

Catalog Page	Description
--------------	-------------



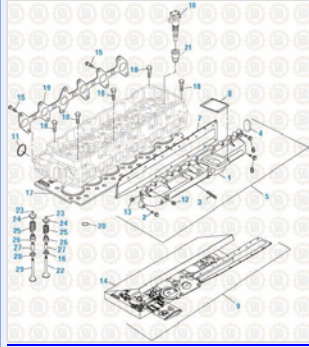
**O-Rings**  
 Valve Seals

Copyright © 2020 PAI Industries, Inc.  
 All rights reserved. All content is property of PAI Industries, Inc, and may not be reproduced or redistributed in any form.

Any reference to OEM names or OEM product identification numbers/descriptions/model numbers is for identification only and does not indicate that it is an OEM part. PAI is not affiliated with Mack Truck, Inc.®, Volvo®, Fuller®, Cummins®, Eaton®, Rockwell®, Caterpillar®, Freightliner®, Hendrickson®, Kenworth®, Detroit Diesel®, International®, Peterbilt®, or Dana®. All Manufacturer's names, numbers, symbols and descriptions are used for reference only. It is not implied that any part listed is the product of these manufacturers.

## VALVE SEAL

492011

**International Engine 2019**

Cylinder Head Components - DT-466E / DT-570 (2004 &amp; Up)

**Cross Reference:**

Manufacturer	OEM Number
MACK	4333-1833432C1
NAVISTAR	1833432
NAVISTAR	1833432C1
NAVISTAR	1889589
NAVISTAR	1889589C1

**Copyright © 2020 PAI Industries, Inc.**

All rights reserved. All content is property of PAI Industries, Inc, and may not be reproduced or redistributed in any form.

Any reference to OEM names or OEM product identification numbers/descriptions/model numbers is for identification only and does not indicate that it is an OEM part. PAI is not affiliated with Mack Truck, Inc.®, Volvo®, Fuller®, Cummins®, Eaton®, Rockwell®, Caterpillar®, Freightliner®, Hendrickson®, Kenworth®, Detroit Diesel®, International®, Peterbilt®, or Dana®. All Manufacturer's names, numbers, symbols and descriptions are used for reference only. It is not implied that any part listed is the product of these manufacturers.