

PISTON RING SET

505125



Description: PISTON RING SET
SKU: 505125
OEM: 4089406
Product Group: ENGINE PARTS
Product Class: PISTON RINGS
UPC Code: 193807087227
Sell Pack: 1 EA
Weight: 0.30 LBS
Warranty: 2 Years

Details:
 Piston Ring Set
 Carbon Steel
 Cummins ISX Application

Substitute:

SKU	Sell Pack	Weight	Warranty	Description
505125HP	1	0.32 LBS	3 Years	HIGH PERFORMANCE PISTON RING SET

E-Catalog Pages:

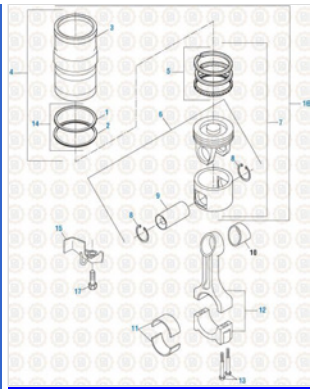
Catalog Page	Description

Copyright © 2020 PAI Industries, Inc.
 All rights reserved. All content is property of PAI Industries, Inc, and may not be reproduced or redistributed in any form.

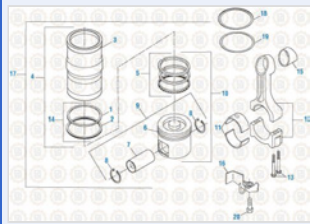
Any reference to OEM names or OEM product identification numbers/descriptions/model numbers is for identification only and does not indicate that it is an OEM part. PAI is not affiliated with Mack Truck, Inc.®, Volvo®, Fuller®, Cummins®, Eaton®, Rockwell®, Caterpillar®, Freightliner®, Hendrickson®, Kenworth®, Detroit Diesel®, International®, Peterbilt®, or Dana®. All Manufacturer's names, numbers, symbols and descriptions are used for reference only. It is not implied that any part listed is the product of these manufacturers.

PISTON RING SET

505125





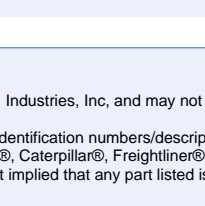
Cummins Engine 2017
Two Piece Piston - ISX Series



Cummins Engine 2017
One Piece Piston - ISX Series



Cummins Engine 2017
Inframe Kits - ISX Series

Consists Of:				
SKU	OEM	Image	Description	Quantity
505121	3684010		COMPRESSION PISTON RING	1
505126	3681078		INTERMEDIATE PISTON RING	1
505123	3682398		OIL CONTROL PISTON RING	1

Copyright © 2020 PAI Industries, Inc.
All rights reserved. All content is property of PAI Industries, Inc, and may not be reproduced or redistributed in any form.

Any reference to OEM names or OEM product identification numbers/descriptions/model numbers is for identification only and does not indicate that it is an OEM part. PAI is not affiliated with Mack Truck, Inc.®, Volvo®, Fuller®, Cummins®, Eaton®, Rockwell®, Caterpillar®, Freightliner®, Hendrickson®, Kenworth®, Detroit Diesel®, International®, Peterbilt®, or Dana®. All Manufacturer's names, numbers, symbols and descriptions are used for reference only. It is not implied that any part listed is the product of these manufacturers.

PISTON RING SET

505125

1274	G	RING SET BLANKET STATEMENT	1
------	---	----------------------------	---

Component Of:		
SKU	Image	Description
ISX140-017	.	ENGINE KIT
ISX141-017	.	PISTONLESS ENGINE KIT
ISX141-018	.	PISTONLESS ENGINE KIT
ISX141-022	.	PISTONLESS ENGINE KIT
ISX141-025	.	ENGINE KIT
ISX141-026	.	PISTONLESS ENGINE KIT
ISX141-027	.	PISTONLESS ENGINE KIT
ISX141-033	.	PISTONLESS ENGINE KIT
ISX141-038	.	PISTONLESS ENGINE KIT
ISX141-048	.	ENGINE KIT

Cross Reference:	
Manufacturer	OEM Number
CUMMINS	4089406

Copyright © 2020 PAI Industries, Inc.

All rights reserved. All content is property of PAI Industries, Inc, and may not be reproduced or redistributed in any form.

Any reference to OEM names or OEM product identification numbers/descriptions/model numbers is for identification only and does not indicate that it is an OEM part. PAI is not affiliated with Mack Truck, Inc.®, Volvo®, Fuller®, Cummins®, Eaton®, Rockwell®, Caterpillar®, Freightliner®, Hendrickson®, Kenworth®, Detroit Diesel®, International®, Peterbilt®, or Dana®. All Manufacturer's names, numbers, symbols and descriptions are used for reference only. It is not implied that any part listed is the product of these manufacturers.