

THRUST WASHER

GWA-5973



Description: THRUST WASHER
SKU: GWA-5973
OEM: 223KD262P2
Product Group: TRANSMISSION
Product Class: GEARS, SHAFTS, CLUTCHES
UPC Code: 193807236632
Sell Pack: 3 EA
 (Available to buy in increments of 3)
Weight: 0.13 LBS
Warranty: 2 Years



Details:

Three required in most applications
 Mack T2060, T2070, T2130, T2180, T309L, T310 / M, T313L, T318L Application

E-Catalog Pages:

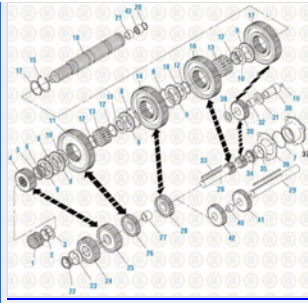
Catalog Page	Description
	<p>Drive Train 2016 Main Case Components - T2080B</p>

Copyright © 2020 PAI Industries, Inc.
 All rights reserved. All content is property of PAI Industries, Inc. and may not be reproduced or redistributed in any form.

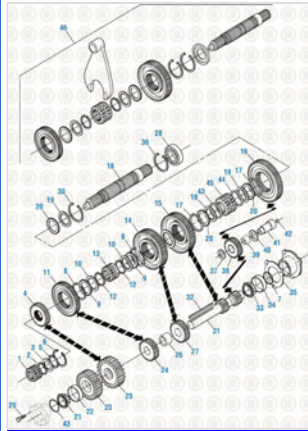
Any reference to OEM names or OEM product identification numbers/descriptions/model numbers is for identification only and does not indicate that it is an OEM part. PAI is not affiliated with Mack Truck, Inc.®, Volvo®, Fuller®, Cummins®, Eaton®, Rockwell®, Caterpillar®, Freightliner®, Hendrickson®, Kenworth®, Detroit Diesel®, International®, Peterbilt®, or Dana®. All Manufacturer's names, numbers, symbols and descriptions are used for reference only. It is not implied that any part listed is the product of these manufacturers.

THRUST WASHER

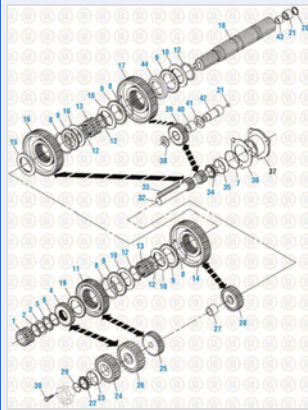
GWA-5973

**Drive Train 2016**

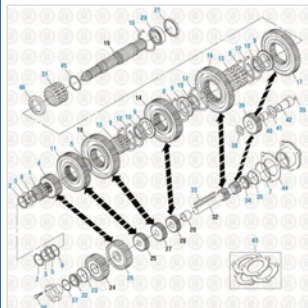
Main Case Components - T2080, T2090 and T2100

**Drive Train 2016**

Main Case Components - Original Mainshaft Design - T2050

**Drive Train 2016**

Main Case Components - T2060 & T2070

**Drive Train 2016**

Main Case Components - T2060A

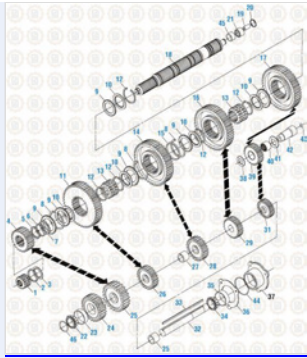
Copyright © 2020 PAI Industries, Inc.

All rights reserved. All content is property of PAI Industries, Inc. and may not be reproduced or redistributed in any form.

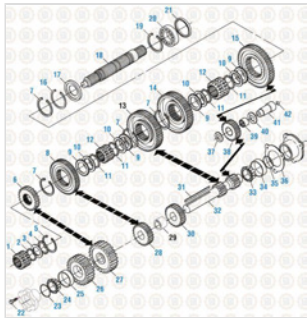
Any reference to OEM names or OEM product identification numbers/descriptions/model numbers is for identification only and does not indicate that it is an OEM part. PAI is not affiliated with Mack Truck, Inc.®, Volvo®, Fuller®, Cummins®, Eaton®, Rockwell®, Caterpillar®, Freightliner®, Hendrickson®, Kenworth®, Detroit Diesel®, International®, Peterbilt®, or Dana®. All Manufacturer's names, numbers, symbols and descriptions are used for reference only. It is not implied that any part listed is the product of these manufacturers.

THRUST WASHER

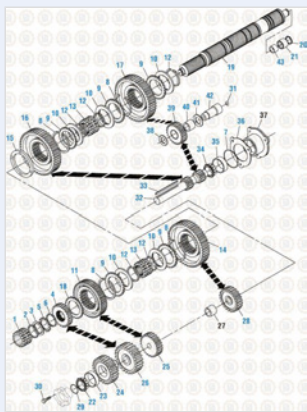
GWA-5973

**Drive Train 2016**

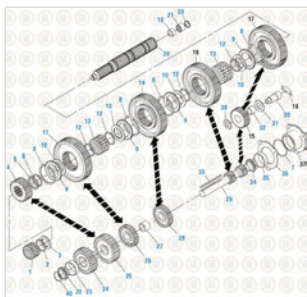
Main Case Components - T2130 and T2180

**Drive Train 2016**

Main Case Components - Current Mainshaft Design - T2050

**Drive Train 2016**

Main Case Components - T2070 A & C

**Drive Train 2016**

Main Case Components - T309L and T310

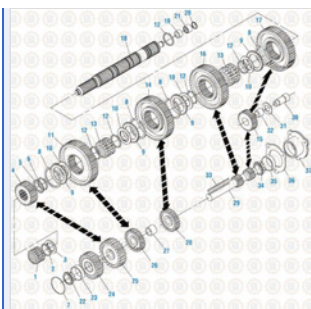
Copyright © 2020 PAI Industries, Inc.

All rights reserved. All content is property of PAI Industries, Inc. and may not be reproduced or redistributed in any form.

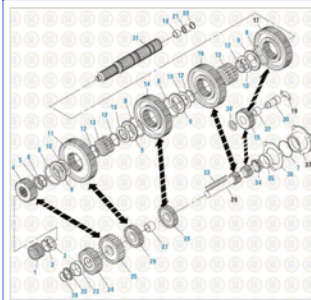
Any reference to OEM names or OEM product identification numbers/descriptions/model numbers is for identification only and does not indicate that it is an OEM part. PAI is not affiliated with Mack Truck, Inc.®, Volvo®, Fuller®, Cummins®, Eaton®, Rockwell®, Caterpillar®, Freightliner®, Hendrickson®, Kenworth®, Detroit Diesel®, International®, Peterbilt®, or Dana®. All Manufacturer's names, numbers, symbols and descriptions are used for reference only. It is not implied that any part listed is the product of these manufacturers.

THRUST WASHER

GWA-5973



Drive Train 2016
Main Case Components - T313L and T318L



Drive Train 2016
Main Case Components - T310M

Component Of:		
SKU	Image	Description
GBK-6153	.	BEARING AND SEAL KIT
GBK-6565		BEARING AND SEAL KIT
GBK-6573	.	BEARING AND SEAL KIT
GBK-6637		BEARING AND SEAL KIT
GBK-6685	.	BEARING AND SEAL KIT
GBK-8956	.	BEARING AND SEAL KIT
GBK-8957	.	BEARING AND SEAL KIT
GBK-8958	.	BEARING AND SEAL KIT
GBK-8963	.	BEARING AND SEAL KIT
806869	.	BEARING AND SEAL KIT

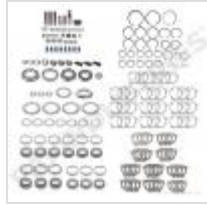
Copyright © 2020 PAI Industries, Inc.
All rights reserved. All content is property of PAI Industries, Inc. and may not be reproduced or redistributed in any form.

Any reference to OEM names or OEM product identification numbers/descriptions/model numbers is for identification only and does not indicate that it is an OEM part. PAI is not affiliated with Mack Truck, Inc.®, Volvo®, Fuller®, Cummins®, Eaton®, Rockwell®, Caterpillar®, Freightliner®, Hendrickson®, Kenworth®, Detroit Diesel®, International®, Peterbilt®, or Dana®. All Manufacturer's names, numbers, symbols and descriptions are used for reference only. It is not implied that any part listed is the product of these manufacturers.

THRUST WASHER

GWA-5973

[806871](#)



BEARING KIT

Cross Reference:

Manufacturer	OEM Number
MACK	223KD268
MACK	223KD262P2
MACK	233KD240P2
MACK	25106156
MACK	25499896

Copyright © 2020 PAI Industries, Inc.
 All rights reserved. All content is property of PAI Industries, Inc. and may not be reproduced or redistributed in any form.

Any reference to OEM names or OEM product identification numbers/descriptions/model numbers is for identification only and does not indicate that it is an OEM part. PAI is not affiliated with Mack Truck, Inc., Volvo®, Fuller®, Cummins®, Eaton®, Rockwell®, Caterpillar®, Freightliner®, Hendrickson®, Kenworth®, Detroit Diesel®, International®, Peterbilt®, or Dana®. All Manufacturer's names, numbers, symbols and descriptions are used for reference only. It is not implied that any part listed is the product of these manufacturers.