

THRUST WASHER

GWA-5985



Description: THRUST WASHER
SKU: GWA-5985
OEM: 223KD253
Product Group: TRANSMISSION
Product Class: GEARS, SHAFTS, CLUTCHES
UPC Code: 193807236786
Sell Pack: 1 EA
Weight: 0.20 LBS
Warranty: 2 Years



Details:

Thrust Washer
 Not Used On All Variations
 16 External Gear Teeth
 3.184in O.D. x 2.475in I.D. x .306in Thickness

E-Catalog Pages:

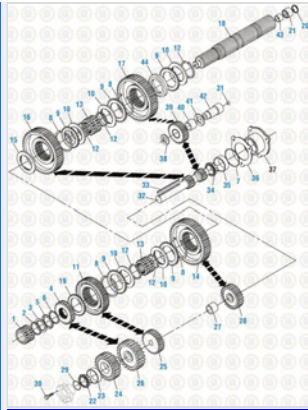
Catalog Page	Description
	<p>Drive Train 2016 Main Case Components - T2080B</p>

Copyright © 2020 PAI Industries, Inc.
 All rights reserved. All content is property of PAI Industries, Inc, and may not be reproduced or redistributed in any form.

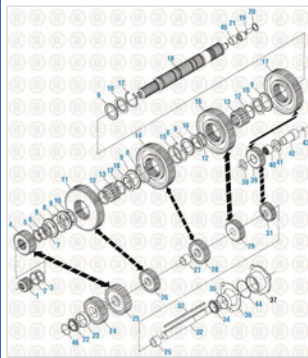
Any reference to OEM names or OEM product identification numbers/descriptions/model numbers is for identification only and does not indicate that it is an OEM part. PAI is not affiliated with Mack Truck, Inc.®, Volvo®, Fuller®, Cummins®, Eaton®, Rockwell®, Caterpillar®, Freightliner®, Hendrickson®, Kenworth®, Detroit Diesel®, International®, Peterbilt®, or Dana®. All Manufacturer's names, numbers, symbols and descriptions are used for reference only. It is not implied that any part listed is the product of these manufacturers.

THRUST WASHER

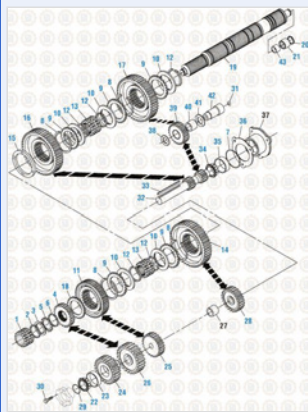
GWA-5985



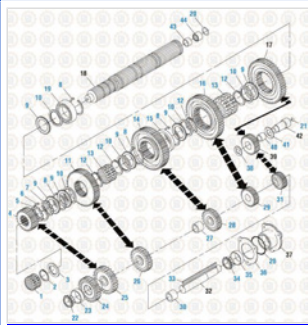
Drive Train 2016
Main Case Components - T2060 & T2070



Drive Train 2016
Main Case Components - T2130 and T2180



Drive Train 2016
Main Case Components - T2070 A & C




Drive Train 2016
Main Case Components - T2110 B and D

Copyright © 2020 PAI Industries, Inc.
All rights reserved. All content is property of PAI Industries, Inc. and may not be reproduced or redistributed in any form.

Any reference to OEM names or OEM product identification numbers/descriptions/model numbers is for identification only and does not indicate that it is an OEM part. PAI is not affiliated with Mack Truck, Inc.®, Volvo®, Fuller®, Cummins®, Eaton®, Rockwell®, Caterpillar®, Freightliner®, Hendrickson®, Kenworth®, Detroit Diesel®, International®, Peterbilt®, or Dana®. All Manufacturer's names, numbers, symbols and descriptions are used for reference only. It is not implied that any part listed is the product of these manufacturers.

THRUST WASHER

GWA-5985

Component Of:		
SKU	Image	Description
GBK-6565		BEARING AND SEAL KIT
GBK-6685	.	BEARING AND SEAL KIT
GBK-8958	.	BEARING AND SEAL KIT

Cross Reference:	
Manufacturer	OEM Number
MACK	223KD253
MACK	233KD316

Copyright © 2020 PAI Industries, Inc.
 All rights reserved. All content is property of PAI Industries, Inc, and may not be reproduced or redistributed in any form.

Any reference to OEM names or OEM product identification numbers/descriptions/model numbers is for identification only and does not indicate that it is an OEM part. PAI is not affiliated with Mack Truck, Inc.®, Volvo®, Fuller®, Cummins®, Eaton®, Rockwell®, Caterpillar®, Freightliner®, Hendrickson®, Kenworth®, Detroit Diesel®, International®, Peterbilt®, or Dana®. All Manufacturer's names, numbers, symbols and descriptions are used for reference only. It is not implied that any part listed is the product of these manufacturers.