

THRUST WASHER

GWA-5994



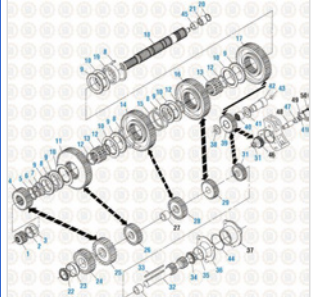
Description: THRUST WASHER
SKU: GWA-5994
OEM: 233KD39
Product Group: TRANSMISSION
Product Class: GEARS, SHAFTS, CLUTCHES
UPC Code: 193807236892
Sell Pack: 1 EA
Weight: 0.20 LBS
Warranty: 2 Years



Details:

Thrust Washer
 4.81in O.D. x 3.69in I.D. x .325in Thickness

E-Catalog Pages:

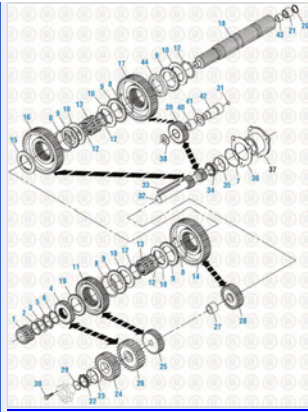
| Catalog Page | Description |
|--|---|
|  | <p>Drive Train 2016 Main Case Components - T2080B</p> |

Copyright © 2020 PAI Industries, Inc.
 All rights reserved. All content is property of PAI Industries, Inc, and may not be reproduced or redistributed in any form.

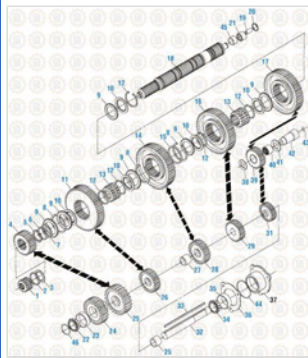
Any reference to OEM names or OEM product identification numbers/descriptions/model numbers is for identification only and does not indicate that it is an OEM part. PAI is not affiliated with Mack Truck, Inc.®, Volvo®, Fuller®, Cummins®, Eaton®, Rockwell®, Caterpillar®, Freightliner®, Hendrickson®, Kenworth®, Detroit Diesel®, International®, Peterbilt®, or Dana®. All Manufacturer's names, numbers, symbols and descriptions are used for reference only. It is not implied that any part listed is the product of these manufacturers.

THRUST WASHER

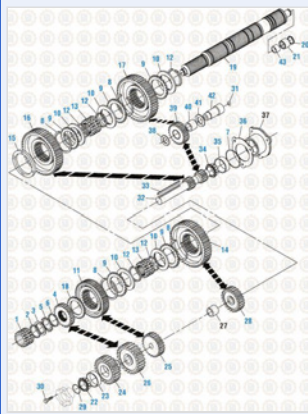
GWA-5994



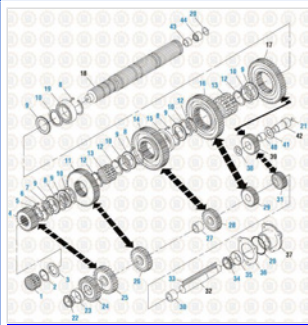
Drive Train 2016
Main Case Components - T2060 & T2070



Drive Train 2016
Main Case Components - T2130 and T2180



Drive Train 2016
Main Case Components - T2070 A & C



Drive Train 2016
Main Case Components - T2110 B and D

Copyright © 2020 PAI Industries, Inc.
All rights reserved. All content is property of PAI Industries, Inc, and may not be reproduced or redistributed in any form.

Any reference to OEM names or OEM product identification numbers/descriptions/model numbers is for identification only and does not indicate that it is an OEM part. PAI is not affiliated with Mack Truck, Inc.®, Volvo®, Fuller®, Cummins®, Eaton®, Rockwell®, Caterpillar®, Freightliner®, Hendrickson®, Kenworth®, Detroit Diesel®, International®, Peterbilt®, or Dana®. All Manufacturer's names, numbers, symbols and descriptions are used for reference only. It is not implied that any part listed is the product of these manufacturers.

THRUST WASHER

GWA-5994

Component Of:

| SKU | Image | Description |
|--------------------------|---|----------------------|
| GBK-6565 |  | BEARING AND SEAL KIT |
| GBK-6685 | | BEARING AND SEAL KIT |

Cross Reference:

| Manufacturer | OEM Number |
|--------------|------------|
| MACK | 233KD39 |

Copyright © 2020 PAI Industries, Inc.
 All rights reserved. All content is property of PAI Industries, Inc, and may not be reproduced or redistributed in any form.

Any reference to OEM names or OEM product identification numbers/descriptions/model numbers is for identification only and does not indicate that it is an OEM part. PAI is not affiliated with Mack Truck, Inc.®, Volvo®, Fuller®, Cummins®, Eaton®, Rockwell®, Caterpillar®, Freightliner®, Hendrickson®, Kenworth®, Detroit Diesel®, International®, Peterbilt®, or Dana®. All Manufacturer's names, numbers, symbols and descriptions are used for reference only. It is not implied that any part listed is the product of these manufacturers.