

THRUST WASHER

GWA-5997



Description: THRUST WASHER
SKU: GWA-5997
OEM: 223KD261A
Product Group: TRANSMISSION
Product Class: GEARS, SHAFTS, CLUTCHES
UPC Code: 193807236922
Sell Pack: 1 EA
Weight: 0.17 LBS
Warranty: 2 Years



Details:
 Thrust Washer
 38 Internal Involute Spline Teeth
 3.270in O.D. x 2.325in I.D. x .157in Thickness

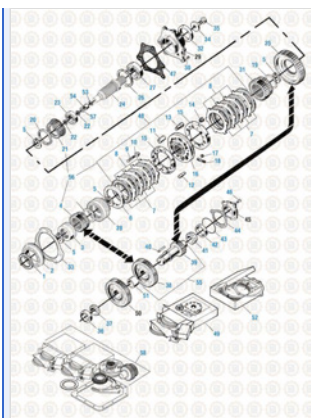
E-Catalog Pages:	
Catalog Page	Description
	<p>Drive Train 2016 Rear Case Components - Original Design Synchronizer - T2080, T2090 and T2100</p>

Copyright © 2020 PAI Industries, Inc.
 All rights reserved. All content is property of PAI Industries, Inc. and may not be reproduced or redistributed in any form.

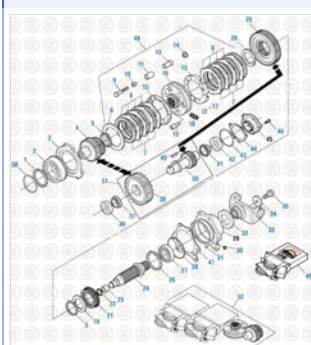
Any reference to OEM names or OEM product identification numbers/descriptions/model numbers is for identification only and does not indicate that it is an OEM part. PAI is not affiliated with Mack Truck, Inc.®, Volvo®, Fuller®, Cummins®, Eaton®, Rockwell®, Caterpillar®, Freightliner®, Hendrickson®, Kenworth®, Detroit Diesel®, International®, Peterbilt®, or Dana®. All Manufacturer's names, numbers, symbols and descriptions are used for reference only. It is not implied that any part listed is the product of these manufacturers.

THRUST WASHER

GWA-5997





Drive Train 2016
Rear Case Components - T309L and T310



Drive Train 2016
Rear Case Components - Updated Design Synchronizer - T2080, T2090 and T2100

Component Of:

SKU	Image	Description
GBK-6565		BEARING AND SEAL KIT
GBK-6685	.	BEARING AND SEAL KIT
GBK-8963	.	BEARING AND SEAL KIT
806804		SYNCHRONIZER REPAIR KIT
806869	.	BEARING AND SEAL KIT

Cross Reference:

Copyright © 2020 PAI Industries, Inc.
All rights reserved. All content is property of PAI Industries, Inc. and may not be reproduced or redistributed in any form.

Any reference to OEM names or OEM product identification numbers/descriptions/model numbers is for identification only and does not indicate that it is an OEM part. PAI is not affiliated with Mack Truck, Inc.®, Volvo®, Fuller®, Cummins®, Eaton®, Rockwell®, Caterpillar®, Freightliner®, Hendrickson®, Kenworth®, Detroit Diesel®, International®, Peterbilt®, or Dana®. All Manufacturer's names, numbers, symbols and descriptions are used for reference only. It is not implied that any part listed is the product of these manufacturers.

THRUST WASHER

GWA-5997

Manufacturer	OEM Number
MACK	233KD241A
MACK	223KD261A
MACK	25499458

Copyright © 2020 PAI Industries, Inc.

All rights reserved. All content is property of PAI Industries, Inc, and may not be reproduced or redistributed in any form.

Any reference to OEM names or OEM product identification numbers/descriptions/model numbers is for identification only and does not indicate that it is an OEM part. PAI is not affiliated with Mack Truck, Inc.®, Volvo®, Fuller®, Cummins®, Eaton®, Rockwell®, Caterpillar®, Freightliner®, Hendrickson®, Kenworth®, Detroit Diesel®, International®, Peterbilt®, or Dana®. All Manufacturer's names, numbers, symbols and descriptions are used for reference only. It is not implied that any part listed is the product of these manufacturers.