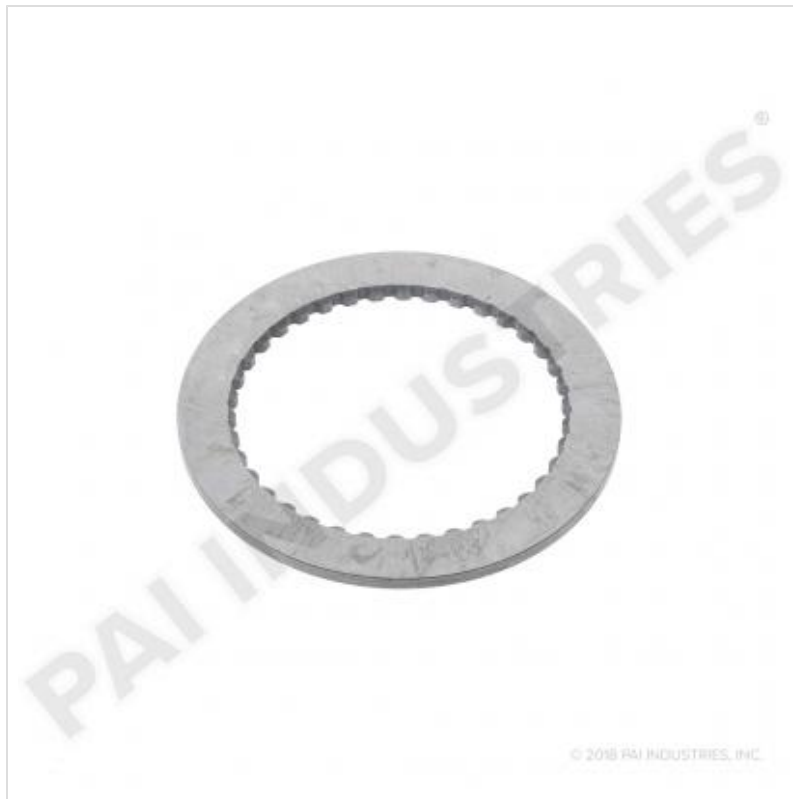


THRUST WASHER

GTW-5998



Description: THRUST WASHER
SKU: GTW-5998
OEM: 223KD249
Product Group: TRANSMISSION
Product Class: GEARS, SHAFTS, CLUTCHES
UPC Code: 193807236939
Sell Pack: 1 EA
Weight: 0.12 LBS
Warranty: 2 Years



Details:

38 teeth Flat Thrust Washer, 3.182in wide
 Mack T2050, T2060 / A, T2070 / A / B / C / D, T2080 / B, T2090, T2110, T2110B / D, T2130, T2180 T309L, T310 / M, T313L, T318L
 Application

E-Catalog Pages:

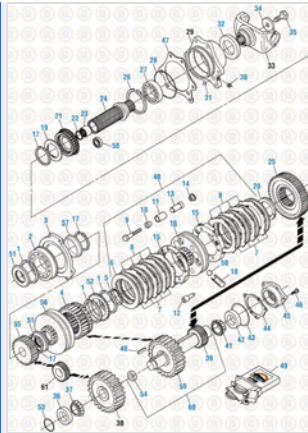
| Catalog Page | Description |
|--------------|---|
| | <p>Drive Train 2016 Main Case Components - T2080B</p> |

Copyright © 2020 PAI Industries, Inc.
 All rights reserved. All content is property of PAI Industries, Inc, and may not be reproduced or redistributed in any form.

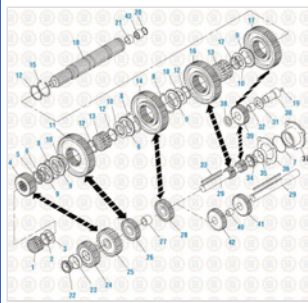
Any reference to OEM names or OEM product identification numbers/descriptions/model numbers is for identification only and does not indicate that it is an OEM part. PAI is not affiliated with Mack Truck, Inc.®, Volvo®, Fuller®, Cummins®, Eaton®, Rockwell®, Caterpillar®, Freightliner®, Hendrickson®, Kenworth®, Detroit Diesel®, International®, Peterbilt®, or Dana®. All Manufacturer's names, numbers, symbols and descriptions are used for reference only. It is not implied that any part listed is the product of these manufacturers.

THRUST WASHER

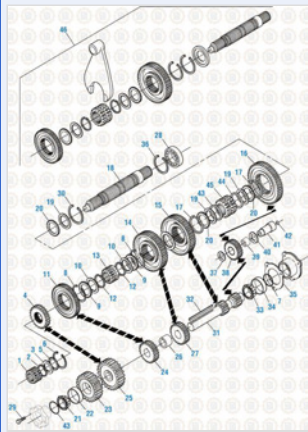
GTW-5998



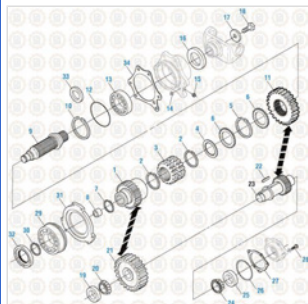
Drive Train 2016
Rear Case Components - T2080B



Drive Train 2016
Main Case Components - T2080, T2090 and T2100



Drive Train 2016
Main Case Components - Original Mainshaft Design - T2050



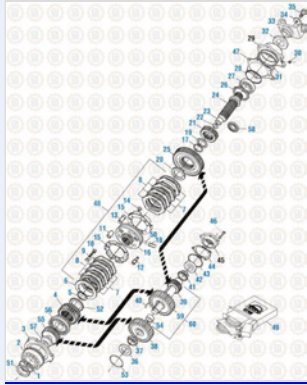
Drive Train 2016
Rear Case Components - T2060 & T2070

Copyright © 2020 PAI Industries, Inc.
All rights reserved. All content is property of PAI Industries, Inc. and may not be reproduced or redistributed in any form.

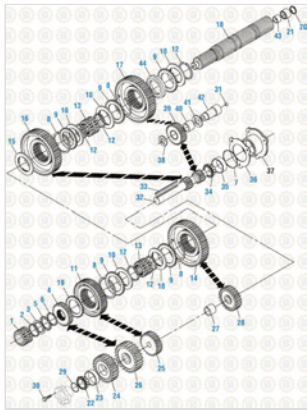
Any reference to OEM names or OEM product identification numbers/descriptions/model numbers is for identification only and does not indicate that it is an OEM part. PAI is not affiliated with Mack Truck, Inc.®, Volvo®, Fuller®, Cummins®, Eaton®, Rockwell®, Caterpillar®, Freightliner®, Hendrickson®, Kenworth®, Detroit Diesel®, International®, Peterbilt®, or Dana®. All Manufacturer's names, numbers, symbols and descriptions are used for reference only. It is not implied that any part listed is the product of these manufacturers.

THRUST WASHER

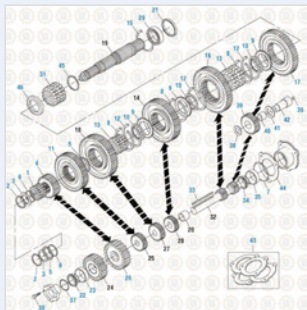
GTW-5998



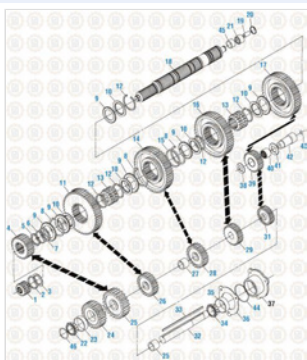
Drive Train 2016
Rear Case Components - T2130 and T2180



Drive Train 2016
Main Case Components - T2060 & T2070



Drive Train 2016
Main Case Components - T2060A



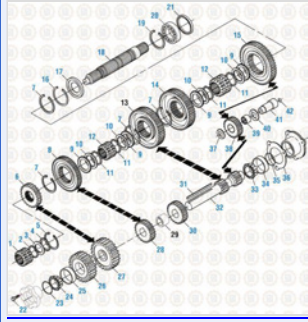
Drive Train 2016
Main Case Components - T2130 and T2180

Copyright © 2020 PAI Industries, Inc.
All rights reserved. All content is property of PAI Industries, Inc, and may not be reproduced or redistributed in any form.

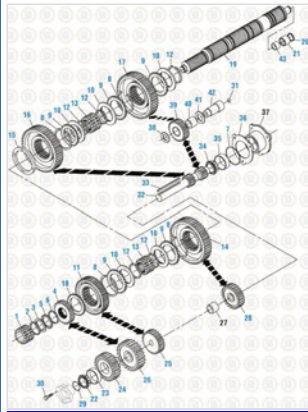
Any reference to OEM names or OEM product identification numbers/descriptions/model numbers is for identification only and does not indicate that it is an OEM part. PAI is not affiliated with Mack Truck, Inc.®, Volvo®, Fuller®, Cummins®, Eaton®, Rockwell®, Caterpillar®, Freightliner®, Hendrickson®, Kenworth®, Detroit Diesel®, International®, Peterbilt®, or Dana®. All Manufacturer's names, numbers, symbols and descriptions are used for reference only. It is not implied that any part listed is the product of these manufacturers.

THRUST WASHER

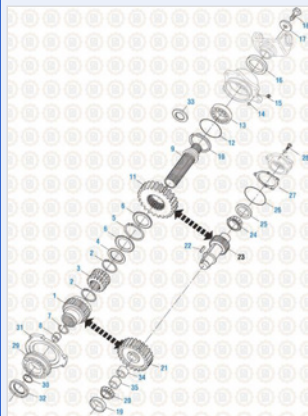
GTW-5998

**Drive Train 2016**

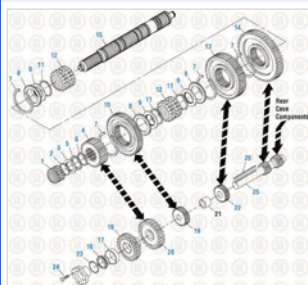
Main Case Components - Current Mainshaft Design - T2050

**Drive Train 2016**

Main Case Components - T2070 A & C

**Drive Train 2016**

Rear Case Components - T2070 A & C

**Drive Train 2016**

Main Case Components - Long Rear Case, Multi-Speed Reverse, Rear Mounted Main Shifter - T2070 B & D

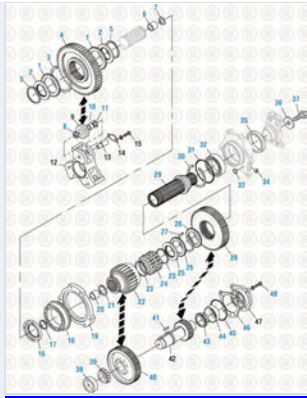
Copyright © 2020 PAI Industries, Inc.

All rights reserved. All content is property of PAI Industries, Inc. and may not be reproduced or redistributed in any form.

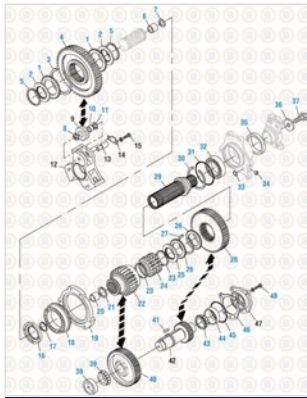
Any reference to OEM names or OEM product identification numbers/descriptions/model numbers is for identification only and does not indicate that it is an OEM part. PAI is not affiliated with Mack Truck, Inc.®, Volvo®, Fuller®, Cummins®, Eaton®, Rockwell®, Caterpillar®, Freightliner®, Hendrickson®, Kenworth®, Detroit Diesel®, International®, Peterbilt®, or Dana®. All Manufacturer's names, numbers, symbols and descriptions are used for reference only. It is not implied that any part listed is the product of these manufacturers.

THRUST WASHER

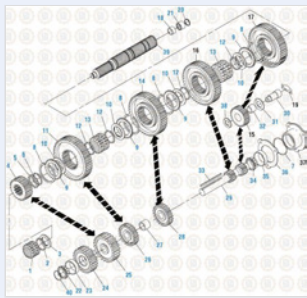
GTW-5998



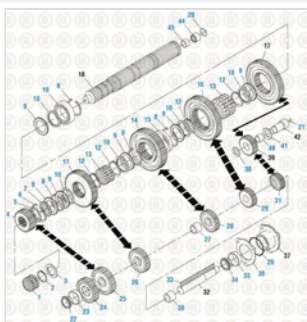
Drive Train 2016
Rear Case Components - T2070 B & D



Drive Train 2016
Rear Case Components - T2070 B & D



Drive Train 2016
Main Case Components - T309L and T310



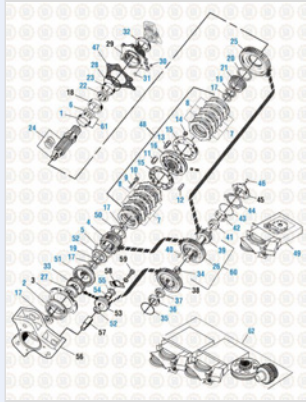
Drive Train 2016
Main Case Components - T2110 B and D

Copyright © 2020 PAI Industries, Inc.
All rights reserved. All content is property of PAI Industries, Inc, and may not be reproduced or redistributed in any form.

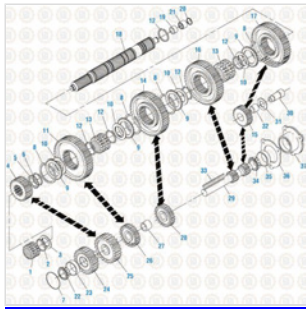
Any reference to OEM names or OEM product identification numbers/descriptions/model numbers is for identification only and does not indicate that it is an OEM part. PAI is not affiliated with Mack Truck, Inc.®, Volvo®, Fuller®, Cummins®, Eaton®, Rockwell®, Caterpillar®, Freightliner®, Hendrickson®, Kenworth®, Detroit Diesel®, International®, Peterbilt®, or Dana®. All Manufacturer's names, numbers, symbols and descriptions are used for reference only. It is not implied that any part listed is the product of these manufacturers.

THRUST WASHER

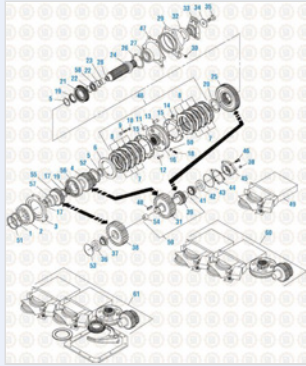
GTW-5998



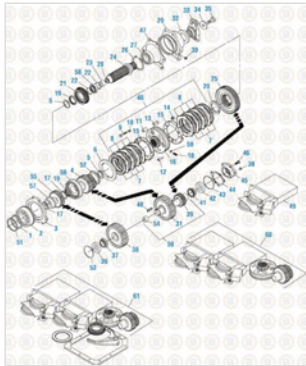
Drive Train 2016
Rear Case Components - T2110 B and D



Drive Train 2016
Main Case Components - T313L and T318L



Drive Train 2016
Rear Case Components - T313L and T318L



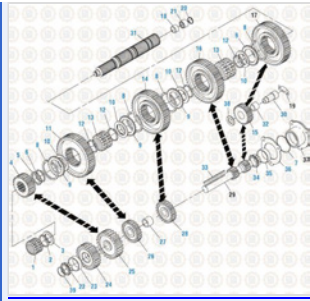
Drive Train 2016
Rear Case Components - T313L and T318L

Copyright © 2020 PAI Industries, Inc.
All rights reserved. All content is property of PAI Industries, Inc. and may not be reproduced or redistributed in any form.

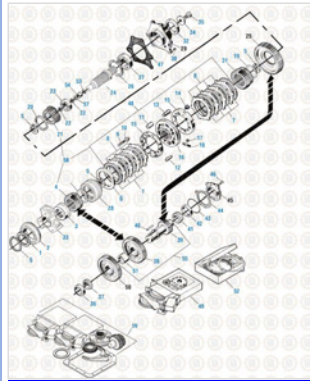
Any reference to OEM names or OEM product identification numbers/descriptions/model numbers is for identification only and does not indicate that it is an OEM part. PAI is not affiliated with Mack Truck, Inc.®, Volvo®, Fuller®, Cummins®, Eaton®, Rockwell®, Caterpillar®, Freightliner®, Hendrickson®, Kenworth®, Detroit Diesel®, International®, Peterbilt®, or Dana®. All Manufacturer's names, numbers, symbols and descriptions are used for reference only. It is not implied that any part listed is the product of these manufacturers.

THRUST WASHER

GTW-5998



Drive Train 2016
Main Case Components - T310M



Drive Train 2016
Rear Case Components - T310M

Component Of:



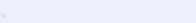

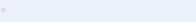
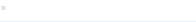


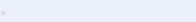

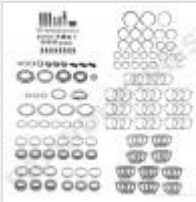

| SKU | Image | Description |
|--------------------------|-------|----------------------|
| GKT-2502 | | MAINSHAFT KIT |
| GBK-5942 | | BEARING AND SEAL KIT |
| GBK-6153 | | BEARING AND SEAL KIT |
| GBK-6565 | | BEARING AND SEAL KIT |
| GBK-6573 | | BEARING AND SEAL KIT |

Copyright © 2020 PAI Industries, Inc.
All rights reserved. All content is property of PAI Industries, Inc. and may not be reproduced or redistributed in any form.

Any reference to OEM names or OEM product identification numbers/descriptions/model numbers is for identification only and does not indicate that it is an OEM part. PAI is not affiliated with Mack Truck, Inc.®, Volvo®, Fuller®, Cummins®, Eaton®, Rockwell®, Caterpillar®, Freightliner®, Hendrickson®, Kenworth®, Detroit Diesel®, International®, Peterbilt®, or Dana®. All Manufacturer's names, numbers, symbols and descriptions are used for reference only. It is not implied that any part listed is the product of these manufacturers.

THRUST WASHER

GTW-5998

| | | |
|--------------------------|---|-------------------------|
| GBK-6637 |  | BEARING AND SEAL KIT |
| GBK-6685 |  | BEARING AND SEAL KIT |
| GBK-8955 |  | BEARING AND SEAL KIT |
| GBK-8956 |  | BEARING AND SEAL KIT |
| GBK-8957 |  | BEARING AND SEAL KIT |
| GBK-8958 |  | BEARING AND SEAL KIT |
| GBK-8963 |  | BEARING AND SEAL KIT |
| 806803 |  | SYNCHRONIZER REPAIR KIT |
| 806869 |  | BEARING AND SEAL KIT |
| 806870 |  | BEARING AND SEAL KIT |
| 806871 |  | BEARING KIT |
| 806872 |  | BEARING AND SEAL KIT |

| Cross Reference: | |
|------------------|------------|
| Manufacturer | OEM Number |
| MACK | 223KD249 |
| MACK | 25500345 |

Copyright © 2020 PAI Industries, Inc.
 All rights reserved. All content is property of PAI Industries, Inc. and may not be reproduced or redistributed in any form.

Any reference to OEM names or OEM product identification numbers/descriptions/model numbers is for identification only and does not indicate that it is an OEM part. PAI is not affiliated with Mack Truck, Inc.®, Volvo®, Fuller®, Cummins®, Eaton®, Rockwell®, Caterpillar®, Freightliner®, Hendrickson®, Kenworth®, Detroit Diesel®, International®, Peterbilt®, or Dana®. All Manufacturer's names, numbers, symbols and descriptions are used for reference only. It is not implied that any part listed is the product of these manufacturers.