

SCREW

GSC-6060



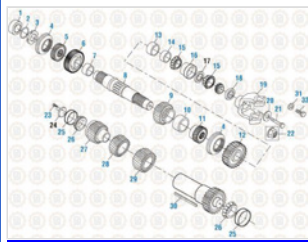
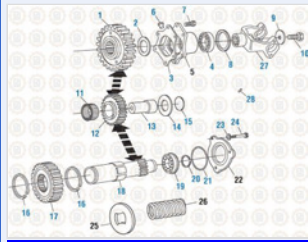
Description:	SCREW
SKU:	GSC-6060
OEM:	3AX1803X
Product Group:	DRIVELINE
Product Class:	DRIVELINE HARDWARE
UPC Code:	193807237349
Sell Pack:	5 EA (Available to buy in increments of 5)
Weight:	2.84 LBS
Package Dimensions (LxWxH):	4 x 3 x 4 inches
Warranty:	2 Years



© 2018 PAI INDUSTRIES, INC.

Details:
 SCREW, 7/8-14 x 2-1/4, Hex, Grade 8 Locking

E-Catalog Pages:

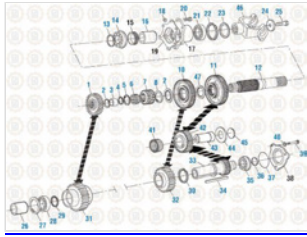
Catalog Page	Description
	Web Electronic Rear Case Components - Mack Transmission
	Web Electronic Rear Case Components - Mack Transmission

Copyright © 2020 PAI Industries, Inc.
 All rights reserved. All content is property of PAI Industries, Inc. and may not be reproduced or redistributed in any form.

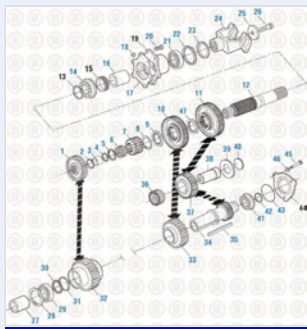
Any reference to OEM names or OEM product identification numbers/descriptions/model numbers is for identification only and does not indicate that it is an OEM part. PAI is not affiliated with Mack Truck, Inc.®, Volvo®, Fuller®, Cummins®, Eaton®, Rockwell®, Caterpillar®, Freightliner®, Hendrickson®, Kenworth®, Detroit Diesel®, International®, Peterbilt®, or Dana®. All Manufacturer's names, numbers, symbols and descriptions are used for reference only. It is not implied that any part listed is the product of these manufacturers.

SCREW

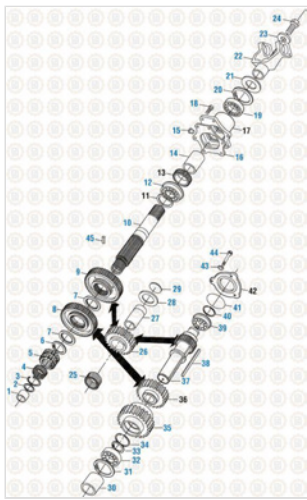
GSC-6060



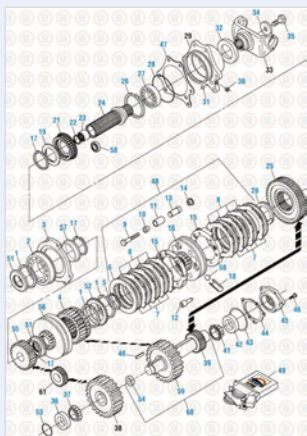
Web Electronic
Rear Components - Mack Transmission



Web Electronic
Rear Case Components - Mack Transmission



Drive Train 2016
Rear Case Components - TRTXL-107/1070



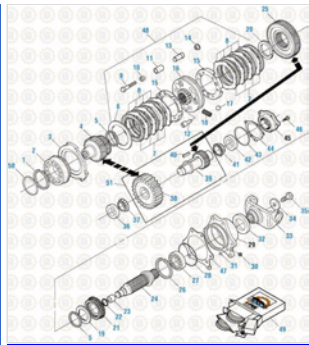
Drive Train 2016
Rear Case Components - T2080B

Copyright © 2020 PAI Industries, Inc.
All rights reserved. All content is property of PAI Industries, Inc. and may not be reproduced or redistributed in any form.

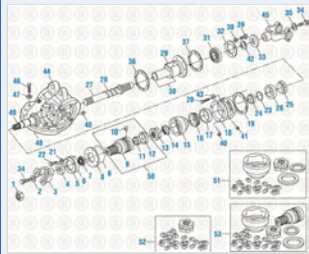
Any reference to OEM names or OEM product identification numbers/descriptions/model numbers is for identification only and does not indicate that it is an OEM part. PAI is not affiliated with Mack Truck, Inc.®, Volvo®, Fuller®, Cummins®, Eaton®, Rockwell®, Caterpillar®, Freightliner®, Hendrickson®, Kenworth®, Detroit Diesel®, International®, Peterbilt®, or Dana®. All Manufacturer's names, numbers, symbols and descriptions are used for reference only. It is not implied that any part listed is the product of these manufacturers.

SCREW

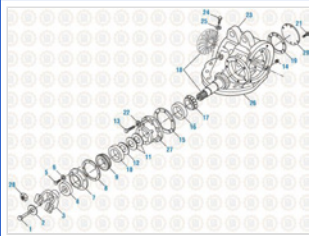
GSC-6060



Drive Train 2016
Rear Case Components - Original Design Synchronizer - T2080, T2090 and T2100



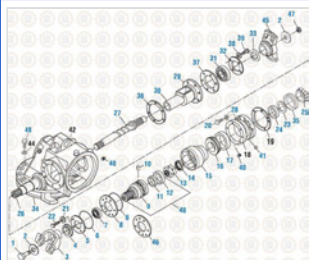
Drive Train 2016
CRDPC 92/112



Drive Train 2016
CRD 93/113



Web Electronic
CRD 117 - Mack Differential



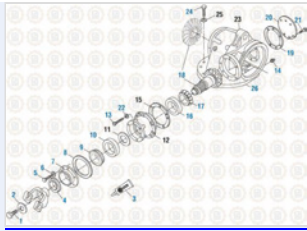
Drive Train 2016
CRDP 200/202

Copyright © 2020 PAI Industries, Inc.
All rights reserved. All content is property of PAI Industries, Inc. and may not be reproduced or redistributed in any form.

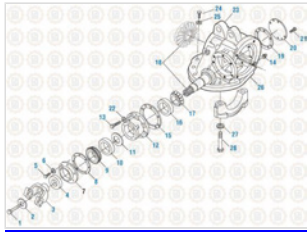
Any reference to OEM names or OEM product identification numbers/descriptions/model numbers is for identification only and does not indicate that it is an OEM part. PAI is not affiliated with Mack Truck, Inc.®, Volvo®, Fuller®, Cummins®, Eaton®, Rockwell®, Caterpillar®, Freightliner®, Hendrickson®, Kenworth®, Detroit Diesel®, International®, Peterbilt®, or Dana®. All Manufacturer's names, numbers, symbols and descriptions are used for reference only. It is not implied that any part listed is the product of these manufacturers.

SCREW

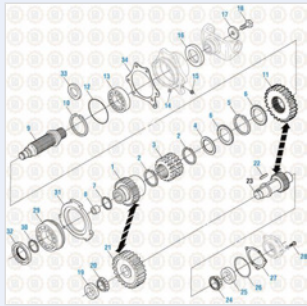
GSC-6060



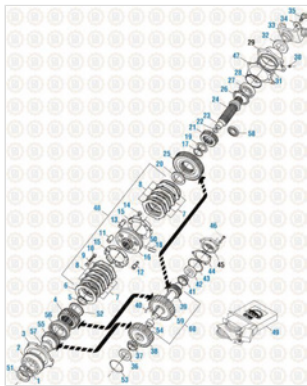
Drive Train 2016
CRD 201/203



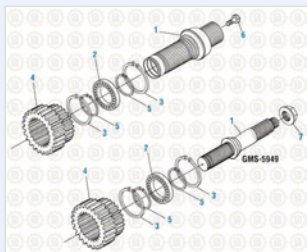
Drive Train 2016
CRD 93A



Drive Train 2016
Rear Case Components - T2060 & T2070



Drive Train 2016
Rear Case Components - T2130 and T2180



Drive Train 2016
Auxiliary Mainshaft Update - T2130 and T2180

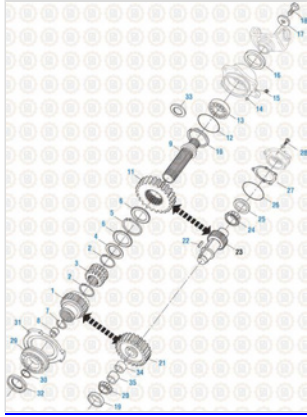
Copyright © 2020 PAI Industries, Inc.

All rights reserved. All content is property of PAI Industries, Inc. and may not be reproduced or redistributed in any form.

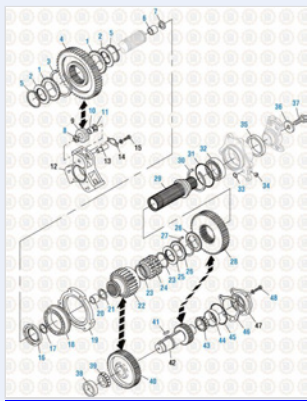
Any reference to OEM names or OEM product identification numbers/descriptions/model numbers is for identification only and does not indicate that it is an OEM part. PAI is not affiliated with Mack Truck, Inc.®, Volvo®, Fuller®, Cummins®, Eaton®, Rockwell®, Caterpillar®, Freightliner®, Hendrickson®, Kenworth®, Detroit Diesel®, International®, Peterbilt®, or Dana®. All Manufacturer's names, numbers, symbols and descriptions are used for reference only. It is not implied that any part listed is the product of these manufacturers.

SCREW

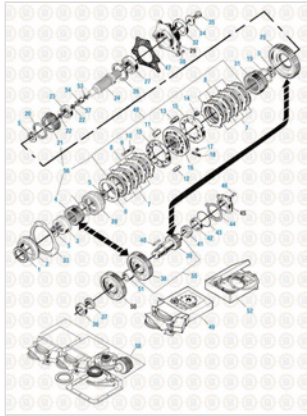
GSC-6060



Drive Train 2016
Rear Case Components - T2070 A & C



Drive Train 2016
Rear Case Components - T2070 B & D



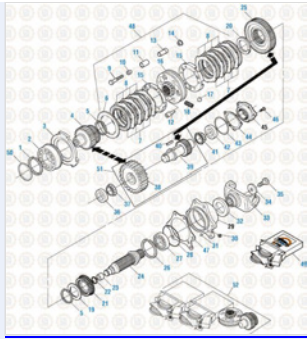
Drive Train 2016
Rear Case Components - T309L and T310

Copyright © 2020 PAI Industries, Inc.
All rights reserved. All content is property of PAI Industries, Inc. and may not be reproduced or redistributed in any form.

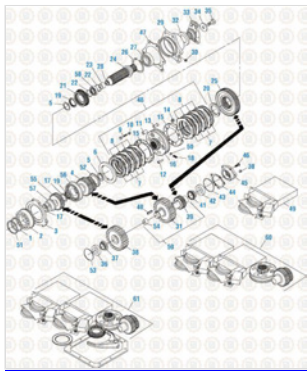
Any reference to OEM names or OEM product identification numbers/descriptions/model numbers is for identification only and does not indicate that it is an OEM part. PAI is not affiliated with Mack Truck, Inc.®, Volvo®, Fuller®, Cummins®, Eaton®, Rockwell®, Caterpillar®, Freightliner®, Hendrickson®, Kenworth®, Detroit Diesel®, International®, Peterbilt®, or Dana®. All Manufacturer's names, numbers, symbols and descriptions are used for reference only. It is not implied that any part listed is the product of these manufacturers.

SCREW

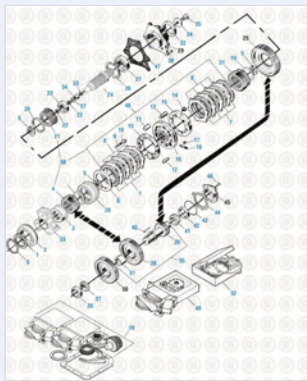
GSC-6060

**Drive Train 2016**

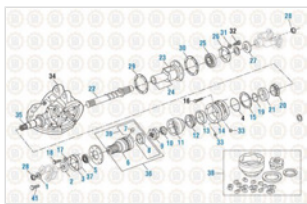
Rear Case Components - Updated Design Synchronizer - T2080, T2090 and T2100

**Drive Train 2016**

Rear Case Components - T313L and T318L

**Drive Train 2016**

Rear Case Components - T310M

**Drive Train 2016**

CRD 150

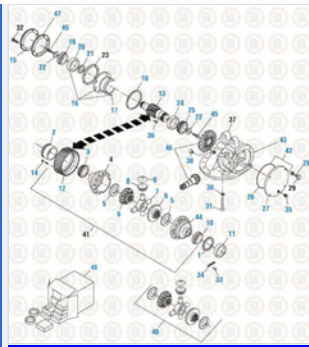
Copyright © 2020 PAI Industries, Inc.

All rights reserved. All content is property of PAI Industries, Inc. and may not be reproduced or redistributed in any form.

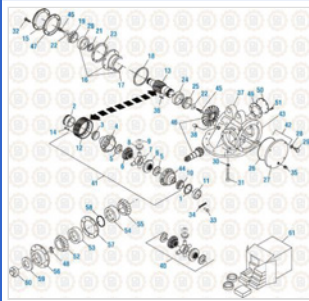
Any reference to OEM names or OEM product identification numbers/descriptions/model numbers is for identification only and does not indicate that it is an OEM part. PAI is not affiliated with Mack Truck, Inc.®, Volvo®, Fuller®, Cummins®, Eaton®, Rockwell®, Caterpillar®, Freightliner®, Hendrickson®, Kenworth®, Detroit Diesel®, International®, Peterbilt®, or Dana®. All Manufacturer's names, numbers, symbols and descriptions are used for reference only. It is not implied that any part listed is the product of these manufacturers.

SCREW

GSC-6060





Drive Train 2016
CRD 150



PAI Mack & Volvo Applications 2018
Components - CRD 151

Hardware
Progressive Size Index (Inch)

Component Of:

SKU	Image	Description
806803		SYNCHRONIZER REPAIR KIT
806804		SYNCHRONIZER REPAIR KIT

Cross Reference:

Manufacturer	OEM Number
MACK	25093516
MACK	3AX1749
MACK	21078767

Copyright © 2020 PAI Industries, Inc.
All rights reserved. All content is property of PAI Industries, Inc. and may not be reproduced or redistributed in any form.

Any reference to OEM names or OEM product identification numbers/descriptions/model numbers is for identification only and does not indicate that it is an OEM part. PAI is not affiliated with Mack Truck, Inc.®, Volvo®, Fuller®, Cummins®, Eaton®, Rockwell®, Caterpillar®, Freightliner®, Hendrickson®, Kenworth®, Detroit Diesel®, International®, Peterbilt®, or Dana®. All Manufacturer's names, numbers, symbols and descriptions are used for reference only. It is not implied that any part listed is the product of these manufacturers.

SCREW

GSC-6060

MACK	551KC215
MACK	25108928
MACK	3AX1803X
MACK	3AX1749X

Copyright © 2020 PAI Industries, Inc.

All rights reserved. All content is property of PAI Industries, Inc, and may not be reproduced or redistributed in any form.

Any reference to OEM names or OEM product identification numbers/descriptions/model numbers is for identification only and does not indicate that it is an OEM part. PAI is not affiliated with Mack Truck, Inc.®, Volvo®, Fuller®, Cummins®, Eaton®, Rockwell®, Caterpillar®, Freightliner®, Hendrickson®, Kenworth®, Detroit Diesel®, International®, Peterbilt®, or Dana®. All Manufacturer's names, numbers, symbols and descriptions are used for reference only. It is not implied that any part listed is the product of these manufacturers.