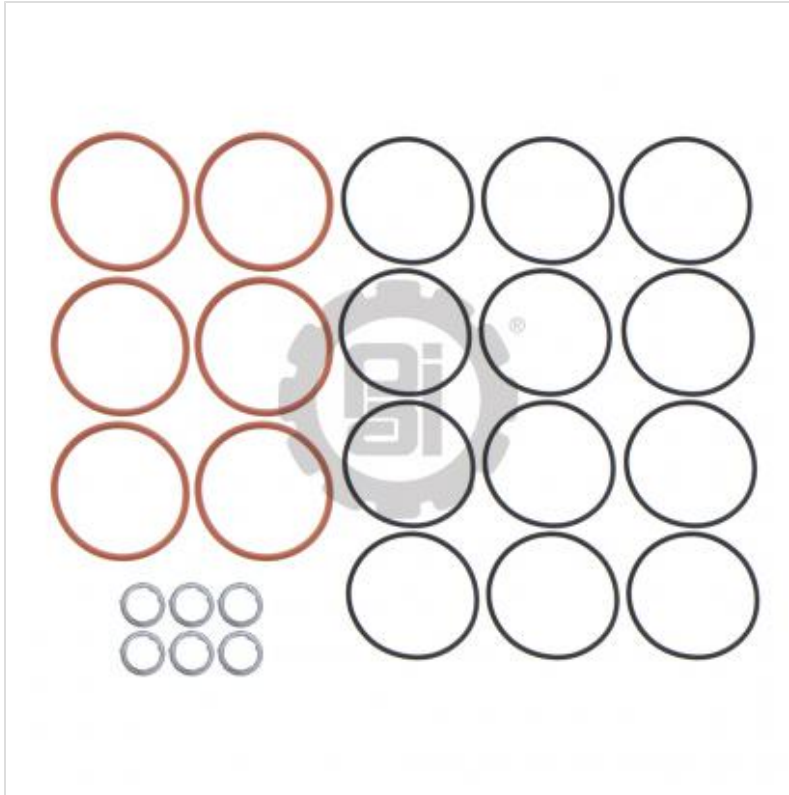


INJECTOR O-RING KIT

621224



Description: INJECTOR O-RING KIT
SKU: 621224
OEM: N/A
Product Group: ENGINE PARTS
Product Class: MISCELLANEOUS INJECTION PARTS
UPC Code: 193807007188
Sell Pack: 1 EA
Weight: 0.08 LBS
Warranty: 2 Years

Details:

Injector O-Ring kit
 Detroit Diesel Series 60 application

E-Catalog Pages:

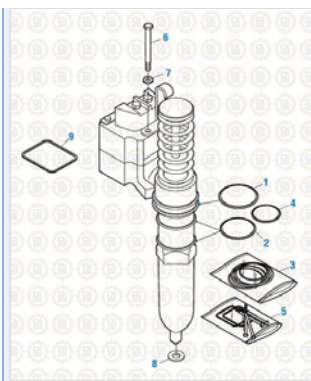
Catalog Page	Description
	<p>Detroit Diesel Engine 2019 Fuel Injector Unit - Series 60</p>

Copyright © 2020 PAI Industries, Inc.
 All rights reserved. All content is property of PAI Industries, Inc, and may not be reproduced or redistributed in any form.

Any reference to OEM names or OEM product identification numbers/descriptions/model numbers is for identification only and does not indicate that it is an OEM part. PAI is not affiliated with Mack Truck, Inc.®, Volvo®, Fuller®, Cummins®, Eaton®, Rockwell®, Caterpillar®, Freightliner®, Hendrickson®, Kenworth®, Detroit Diesel®, International®, Peterbilt®, or Dana®. All Manufacturer's names, numbers, symbols and descriptions are used for reference only. It is not implied that any part listed is the product of these manufacturers.

INJECTOR O-RING KIT

621224



Detroit Diesel Engine 2019
Fuel Injector Unit - Series 50

Consists Of:				
SKU	OEM	Image	Description	Quantity
621224-100	N/A		INJECTOR O-RING KIT	1
631337	23511870		INJECTOR SEAL	6

Component Of:		
SKU	Image	Description
631250-154		FUEL SYSTEM SEAL KIT
631339	-	SPECIAL GASKET KIT
S60001-004	-	TEST ENGINE KIT
S60102-001	-	ENGINE KIT
S60102-001HP	-	HIGH PERFORMANCE ENGINE KIT
S60102-005	-	ENGINE KIT
S60102-006	-	INFRAME ENGINE KIT
S60102-007	-	INFRAME ENGINE KIT

Copyright © 2020 PAI Industries, Inc.
All rights reserved. All content is property of PAI Industries, Inc. and may not be reproduced or redistributed in any form.

Any reference to OEM names or OEM product identification numbers/descriptions/model numbers is for identification only and does not indicate that it is an OEM part. PAI is not affiliated with Mack Truck, Inc.®, Volvo®, Fuller®, Cummins®, Eaton®, Rockwell®, Caterpillar®, Freightliner®, Hendrickson®, Kenworth®, Detroit Diesel®, International®, Peterbilt®, or Dana®. All Manufacturer's names, numbers, symbols and descriptions are used for reference only. It is not implied that any part listed is the product of these manufacturers.

INJECTOR O-RING KIT

621224

S60102-011	.	ENGINE KIT
S60102-017	.	INFRAME ENGINE KIT
S60102-033		ENGINE KIT
S60102-033HP	.	HIGH PERFORMANCE INFRAME ENGINE KIT
S60102-034	.	INFRAME ENGINE KIT
S60102-037	.	INFRAME ENGINE KIT
S60102-038	.	INFRAME ENGINE KIT
S60102-039	.	INFRAME ENGINE KIT
S60102-041	.	INFRAME ENGINE KIT
S60102-043	.	INFRAME ENGINE KIT
S60102-049	.	INFRAME ENGINE KIT
S60102-054	.	INFRAME ENGINE KIT
S60102E-001	.	ENGINE KIT
S60102E-006	.	ENGINE KIT
S60102E-033	.	ENGINE KIT
S60102E-034	.	ENGINE KIT
S60102E-038	.	ENGINE KIT
S60102E-043	.	INFRAME ENGINE KIT
S60102E-049	.	ENGINE KIT
S60103-001	.	ENGINE KIT
S60103-001C	.	INFRAME ENGINE KIT
S60103-017C	.	INFRAME ENGINE KIT
S60103-017HP	.	HIGH PERFORMANCE ENGINE INFRAME KIT
S60103-033	.	ENGINE KIT
S60103-033C	.	INFRAME ENGINE KIT
S60103-033HP	.	HIGH PERFORMANCE INFRAME ENGINE KIT
S60103-033OEMRWBH	.	OE ENGINE KIT
S60103-038	.	ENGINE KIT
S60103-049	.	ENGINE KIT
S60104-001	.	ENGINE KIT
S60104-001C	.	INFRAME ENGINE KIT
S60104-001HP	.	HIGH PERFORMANCE INFRAME ENGINE KIT
S60104-001OEMRC	.	HIGH PERFORMANCE ENGINE KIT
S60104-006	.	INFRAME ENGINE KIT
S60104-006HP	.	HIGH PERFORMANCE INFRAME ENGINE KIT

Copyright © 2020 PAI Industries, Inc.

All rights reserved. All content is property of PAI Industries, Inc. and may not be reproduced or redistributed in any form.

Any reference to OEM names or OEM product identification numbers/descriptions/model numbers is for identification only and does not indicate that it is an OEM part. PAI is not affiliated with Mack Truck, Inc.®, Volvo®, Fuller®, Cummins®, Eaton®, Rockwell®, Caterpillar®, Freightliner®, Hendrickson®, Kenworth®, Detroit Diesel®, International®, Peterbilt®, or Dana®. All Manufacturer's names, numbers, symbols and descriptions are used for reference only. It is not implied that any part listed is the product of these manufacturers.

INJECTOR O-RING KIT

621224

S60104-017C	INFRAME ENGINE KIT
S60104-017HP	HIGH PERFORMANCE INFRAME ENGINE KIT
S60104-017OEMRC	HIGH PERFORMANCE ENGINE KIT
S60104-022C	INFRAME ENGINE KIT
S60104-022OEMRC	HIGH PERFORMANCE ENGINE KIT
S60106-001	ENGINE KIT
S60106-001C	INFRAME ENGINE KIT
S60106-001HP	HIGH PERFORMANCE INFRAME ENGINE KIT
S60106-006	INFRAME ENGINE KIT
S60106-006C	INFRAME ENGINE KIT
S60106-017	INFRAME ENGINE KIT
S60106-017C	INFRAME ENGINE KIT
S60106-017E	INFRAME ENGINE KIT
S60106-017H	HIGH PERFORMANCE ENGINE KIT
S60106-017HP	HIGH PERFORMANCE INFRAME ENGINE KIT
S60106-017OEMRC	INFRAME ENGINE KIT
S60106-017OEMRWBH	ENGINE KIT
S60106-017WOBG	ENGINE KIT
S60106-018C	INFRAME ENGINE KIT
S60106-021C	INFRAME ENGINE KIT
S60106-022	INFRAME ENGINE KIT
S60106-022C	INFRAME ENGINE KIT
S60106-022HP	HIGH PERFORMANCE ENGINE KIT
S60106-023	INFRAME ENGINE KIT
S60106-027C	INFRAME ENGINE KIT
S60106-030	INFRAME ENGINE KIT
S60106-032C	INFRAME ENGINE KIT
S60106E-017	ENGINE KIT
S60107-017	INFRAME ENGINE KIT
S60107-017C	INFRAME ENGINE KIT
S60107-017HP	HIGH PERFORMANCE ENGINE INFRAME KIT
S60107-017OEMRC	ENGINE KIT
S60107-017WOBG	ENGINE KIT
S60107-021OEMRC	INFRAME ENGINE KIT
S60108-017	INFRAME ENGINE KIT
S60108-017C	INFRAME ENGINE KIT
S60108-017WOBG	ENGINE KIT
S60108-033	INFRAME ENGINE KIT
S60108-038	INFRAME ENGINE KIT
S60108-043	INFRAME ENGINE KIT


Copyright © 2020 PAI Industries, Inc.

All rights reserved. All content is property of PAI Industries, Inc, and may not be reproduced or redistributed in any form.

Any reference to OEM names or OEM product identification numbers/descriptions/model numbers is for identification only and does not indicate that it is an OEM part. PAI is not affiliated with Mack Truck, Inc.®, Volvo®, Fuller®, Cummins®, Eaton®, Rockwell®, Caterpillar®, Freightliner®, Hendrickson®, Kenworth®, Detroit Diesel®, International®, Peterbilt®, or Dana®. All Manufacturer's names, numbers, symbols and descriptions are used for reference only. It is not implied that any part listed is the product of these manufacturers.

INJECTOR O-RING KIT

621224

S60109-001		ENGINE KIT
S60109-001C		INFRAME ENGINE KIT
S60109-001H		HIGH PERFORMANCE INFRAME ENGINE KIT
S60109-001HP		HIGH PERFORMANCE INFRAME ENGINE KIT
S60109-017		ENGINE KIT
S60109-017C		HIGH PERFORMANCE ENGINE INFRAME KIT
S60109-017H		HIGH PERFORMANCE INFRAME ENGINE KIT
S60109-017HP		HIGH PERFORMANCE INFRAME ENGINE KIT
S60109-049H		SPECIAL INFRAME ENGINE KIT
S60109-065H		SPECIAL INFRAME ENGINE KIT
S60110-017		INFRAME ENGINE KIT
S60110-017HP		HIGH PERFORMANCE INFRAME ENGINE KIT
S60110-017WOBG		ENGINE KIT
S60110-018		INFRAME ENGINE KIT
S60110-022		ENGINE KIT
S60110-033		INFRAME ENGINE KIT
S60110-033HP		HIGH PERFORMANCE INFRAME ENGINE KIT
S60110-034		INFRAME ENGINE KIT
S60110-038		ENGINE KIT
S60110-043		INFRAME ENGINE KIT
S60111-017		ENGINE KIT
S60111-017HP		HIGH PERFORMANCE ENGINE KIT
S60111-023		ENGINE KIT
S60111-033		INFRAME ENGINE KIT
S60114-017		INFRAME ENGINE KIT
S60114-017HP		HIGH PERFORMANCE ENGINE KIT
S60114-017WOBG		ENGINE KIT
S60114-049		ENGINE KIT
S60115-001		ENGINE KIT
S60115-017		ENGINE KIT
S60115-017HP		HIGH PERFORMANCE ENGINE INFRAME KIT
S60116-001		ENGINE KIT
S60116-017		ENGINE KIT
S60116-033		INFRAME ENGINE KIT
S60116-038		ENGINE KIT

Copyright © 2020 PAI Industries, Inc.

All rights reserved. All content is property of PAI Industries, Inc. and may not be reproduced or redistributed in any form.

Any reference to OEM names or OEM product identification numbers/descriptions/model numbers is for identification only and does not indicate that it is an OEM part. PAI is not affiliated with Mack Truck, Inc.®, Volvo®, Fuller®, Cummins®, Eaton®, Rockwell®, Caterpillar®, Freightliner®, Hendrickson®, Kenworth®, Detroit Diesel®, International®, Peterbilt®, or Dana®. All Manufacturer's names, numbers, symbols and descriptions are used for reference only. It is not implied that any part listed is the product of these manufacturers.

INJECTOR O-RING KIT

621224

S60116-081	.	ENGINE KIT
S60116-087	.	INFRAME ENGINE KIT
S60117-017	.	ENGINE KIT
S60117-017HP	.	HIGH PERFORMANCE INFRAME ENGINE KIT(14L)
S60117-033	.	ENGINE KIT
S60117-033HP	.	HIGH PERFORMANCE INFRAME MONOTHERM ENGINE KIT(14L)
S60118-001	.	ENGINE KIT
S60118-001H	.	HIGH PERFORMANCE INFRAME ENGINE KIT
S60118-001HP	.	HIGH PERFORMANCE INFRAME ENGINE KIT
S60118-017H	.	HIGH PERFORMANCE INFRAME ENGINE KIT
S60118-017HP	.	HIGH PERFORMANCE INFRAME ENGINE KIT
S60119-001	.	ENGINE KIT
S60119-001H	.	HIGH PERFORMANCE ENGINE KIT
S60119-001HP	.	HIGH PERFORMANCE ENGINE KIT
S60119-017H	.	HIGH PERFORMANCE ENGINE KIT
S60119-017HP	.	HIGH PERFORMANCE ENGINE KIT
S60121-097	.	INFRAME ENGINE KIT
S60130-049	.	INFRAME ENGINE KIT
S60131-001	.	ENGINE KIT
S60131-001C	.	INFRAME ENGINE KIT
S60131-001OEMRC	.	ENGINE KIT
S60131-017	.	CROWNLESS ENGINE KIT
S60131-018	.	CROWNLESS ENGINE KIT
S60138-001	.	PISTONLESS ENGINE KIT
S60140-001	.	PISTONLESS ENGINE KIT
S60140-033	.	INFRAME ENGINE KIT
S60140-034	.	INFRAME ENGINE KIT
S60141-001	.	PISTONLESS ENGINE KIT
S60141-017	.	INFRAME ENGINE KIT
S60141-033	.	INFRAME ENGINE KIT
S60142-001	.	PISTONLESS ENGINE KIT
S60142-001HP	.	HP ENGINE PISTONLESS KIT
S60142-017	.	PISTONLESS ENGINE KIT
S60142-033	.	PISTONLESS ENGINE KIT
S60142-049	.	PISTONLESS ENGINE KIT
S60142-065	.	PISTONLESS ENGINE KIT
S60142-081	.	PISTONLESS ENGINE KIT
S60143-017	.	PISTONLESS ENGINE KIT
S60143-033	.	PISTONLESS ENGINE KIT
S60143-049	.	PISTONLESS ENGINE KIT

Copyright © 2020 PAI Industries, Inc.

All rights reserved. All content is property of PAI Industries, Inc. and may not be reproduced or redistributed in any form.

Any reference to OEM names or OEM product identification numbers/descriptions/model numbers is for identification only and does not indicate that it is an OEM part. PAI is not affiliated with Mack Truck, Inc.®, Volvo®, Fuller®, Cummins®, Eaton®, Rockwell®, Caterpillar®, Freightliner®, Hendrickson®, Kenworth®, Detroit Diesel®, International®, Peterbilt®, or Dana®. All Manufacturer's names, numbers, symbols and descriptions are used for reference only. It is not implied that any part listed is the product of these manufacturers.

INJECTOR O-RING KIT

621224

S60143-065	.	PISTONLESS ENGINE KIT
S60609-017	.	ENGINE OVERHAUL KIT
S60609-017HP	.	HIGH PERFORMANCE ENGINE O/H Kit
S60609-017OEMR	.	ENGINE OVERHAUL KIT
S60611-081	.	ENGINE OVERHAUL KIT
S60611-081HP	.	HIGH PERFORMANCE ENGINE KIT
S60615-033	.	ENGINE OVERHAUL KIT
S60615-033HP	.	HIGH PERFORMANCE ENGINE OVERHAUL KIT

Copyright © 2020 PAI Industries, Inc.

All rights reserved. All content is property of PAI Industries, Inc, and may not be reproduced or redistributed in any form.

Any reference to OEM names or OEM product identification numbers/descriptions/model numbers is for identification only and does not indicate that it is an OEM part. PAI is not affiliated with Mack Truck, Inc.®, Volvo®, Fuller®, Cummins®, Eaton®, Rockwell®, Caterpillar®, Freightliner®, Hendrickson®, Kenworth®, Detroit Diesel®, International®, Peterbilt®, or Dana®. All Manufacturer's names, numbers, symbols and descriptions are used for reference only. It is not implied that any part listed is the product of these manufacturers.