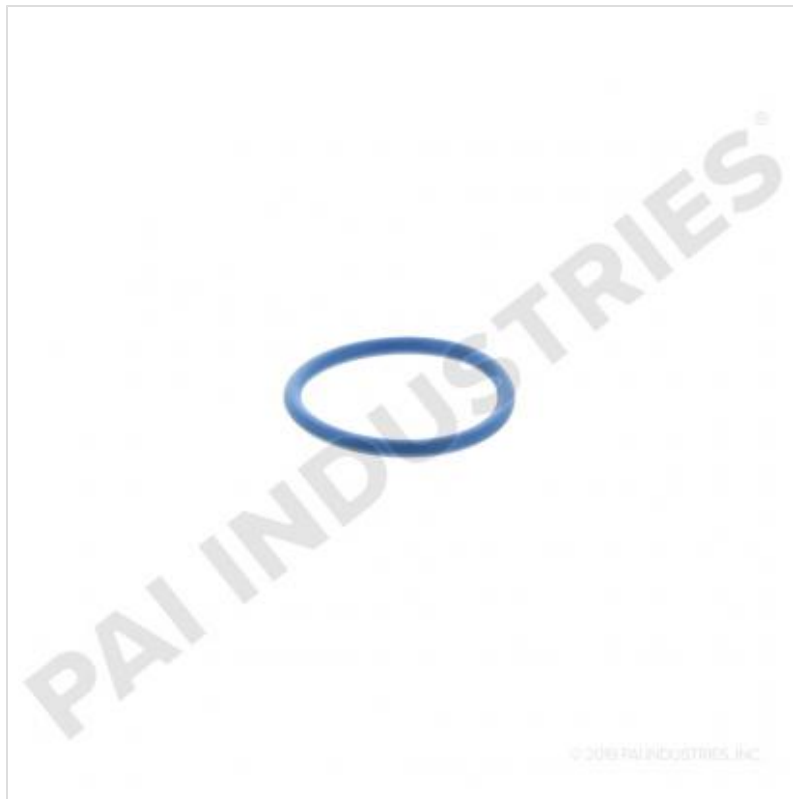


INJECTOR O-RING

621241



Description: INJECTOR O-RING
SKU: 621241
OEM: F00HN37331
Product Group: ENGINE PARTS
Product Class: MISCELLANEOUS INJECTION PARTS
UPC Code: 193807007331
Sell Pack: 6 EA
 (Available to buy in increments of 6)
Weight: 0.02 LBS
Warranty: 2 Years



Details:

Lower Injector O-Ring
 Detroit Diesel Series 60 application

E-Catalog Pages:

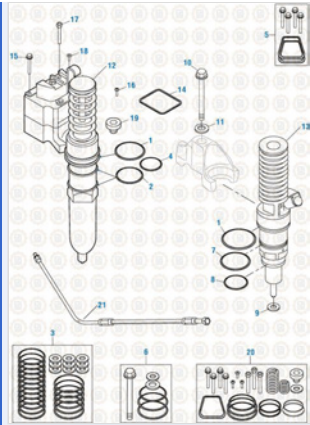
Catalog Page	Description
	O-Rings AS568A

Copyright © 2020 PAI Industries, Inc.
 All rights reserved. All content is property of PAI Industries, Inc, and may not be reproduced or redistributed in any form.

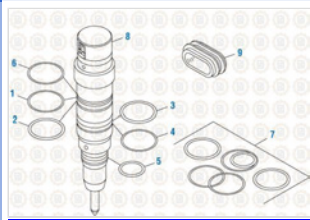
Any reference to OEM names or OEM product identification numbers/descriptions/model numbers is for identification only and does not indicate that it is an OEM part. PAI is not affiliated with Mack Truck, Inc.®, Volvo®, Fuller®, Cummins®, Eaton®, Rockwell®, Caterpillar®, Freightliner®, Hendrickson®, Kenworth®, Detroit Diesel®, International®, Peterbilt®, or Dana®. All Manufacturer's names, numbers, symbols and descriptions are used for reference only. It is not implied that any part listed is the product of these manufacturers.

INJECTOR O-RING

621241




Detroit Diesel Engine 2019
Fuel Injector Unit - Series 60



Caterpillar Engine 2019
Fuel Injection Components - 3100 / C7 Series

Component Of:

SKU	Image	Description
321475		INJECTOR O-RING
621242		INJECTOR KIT

Cross Reference:

Manufacturer	OEM Number
CATERPILLAR	263-4016
CATERPILLAR	2634016
DETROIT DIESEL	F00HN37331

Copyright © 2020 PAI Industries, Inc.
All rights reserved. All content is property of PAI Industries, Inc. and may not be reproduced or redistributed in any form.

Any reference to OEM names or OEM product identification numbers/descriptions/model numbers is for identification only and does not indicate that it is an OEM part. PAI is not affiliated with Mack Truck, Inc.®, Volvo®, Fuller®, Cummins®, Eaton®, Rockwell®, Caterpillar®, Freightliner®, Hendrickson®, Kenworth®, Detroit Diesel®, International®, Peterbilt®, or Dana®. All Manufacturer's names, numbers, symbols and descriptions are used for reference only. It is not implied that any part listed is the product of these manufacturers.