

GEAR

EF62970



Description:	GEAR
SKU:	EF62970
OEM:	15953
Product Group:	TRANSMISSION
Product Class:	GEARS, SHAFTS, CLUTCHES
UPC Code:	193807114671
Sell Pack:	1 EA
Weight:	7.65 LBS
Package Dimensions (LxWxH):	9 x 3 x 9 inches
Warranty:	1 Year



Details:

Gear
 PTO
 Left
 Fuller Transmission application

E-Catalog Pages:

Catalog Page	Description

Copyright © 2020 PAI Industries, Inc.
 All rights reserved. All content is property of PAI Industries, Inc, and may not be reproduced or redistributed in any form.

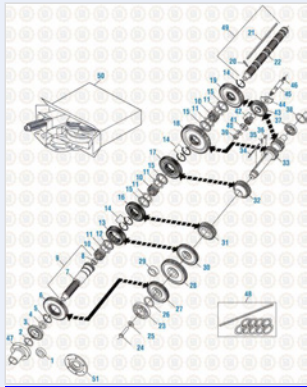
Any reference to OEM names or OEM product identification numbers/descriptions/model numbers is for identification only and does not indicate that it is an OEM part. PAI is not affiliated with Mack Truck, Inc.®, Volvo®, Fuller®, Cummins®, Eaton®, Rockwell®, Caterpillar®, Freightliner®, Hendrickson®, Kenworth®, Detroit Diesel®, International®, Peterbilt®, or Dana®. All Manufacturer's names, numbers, symbols and descriptions are used for reference only. It is not implied that any part listed is the product of these manufacturers.

GEAR

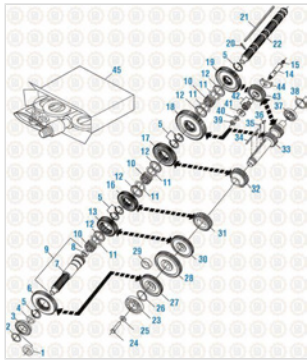
EF62970



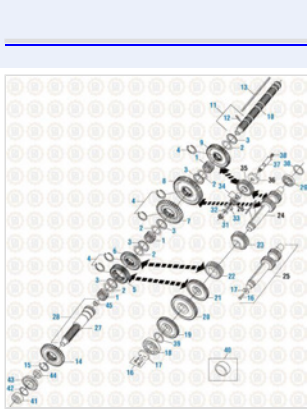
Web Electronic
Main Case Components - Fuller Transmission



Web Electronic
Main Case Components - Fuller Transmission



Drive Train 2016
Main Case Components - RT/RTO/RTOO/RTLO 14613 and 14813



Drive Train 2016
Main Case Components - RTLO 16618



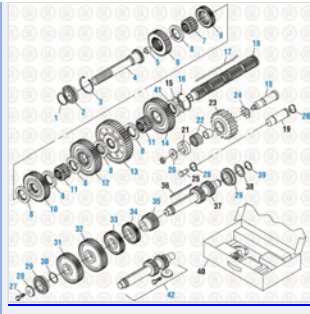
Web Electronic
Main Case Components - Fuller Transmission

Copyright © 2020 PAI Industries, Inc.
All rights reserved. All content is property of PAI Industries, Inc. and may not be reproduced or redistributed in any form.

Any reference to OEM names or OEM product identification numbers/descriptions/model numbers is for identification only and does not indicate that it is an OEM part. PAI is not affiliated with Mack Truck, Inc.®, Volvo®, Fuller®, Cummins®, Eaton®, Rockwell®, Caterpillar®, Freightliner®, Hendrickson®, Kenworth®, Detroit Diesel®, International®, Peterbilt®, or Dana®. All Manufacturer's names, numbers, symbols and descriptions are used for reference only. It is not implied that any part listed is the product of these manufacturers.

GEAR

EF62970

**Drive Train 2016**

Main Case Components - FR/FRO 14210, 15210, 16210, 18210

Cross Reference:

Manufacturer	OEM Number
FULLER	15953
MACK	3088-15953
MACK	4333-405151C1
NAVISTAR	405151
NAVISTAR	405151C1

Copyright © 2020 PAI Industries, Inc.

All rights reserved. All content is property of PAI Industries, Inc. and may not be reproduced or redistributed in any form.

Any reference to OEM names or OEM product identification numbers/descriptions/model numbers is for identification only and does not indicate that it is an OEM part. PAI is not affiliated with Mack Truck, Inc.®, Volvo®, Fuller®, Cummins®, Eaton®, Rockwell®, Caterpillar®, Freightliner®, Hendrickson®, Kenworth®, Detroit Diesel®, International®, Peterbilt®, or Dana®. All Manufacturer's names, numbers, symbols and descriptions are used for reference only. It is not implied that any part listed is the product of these manufacturers.