

INJECTOR SEAL

631337



Description: INJECTOR SEAL
SKU: 631337
OEM: 23511870
Product Group: ENGINE PARTS
Product Class: MISCELLANEOUS INJECTION PARTS
UPC Code: 193807055158
Sell Pack: 6 EA
 (Available to buy in increments of 6)
Weight: 0.01 LBS
Warranty: 2 Years



Details:

Injector Seal
 Graphite for early units
 Detroit Diesel Series 60 application

E-Catalog Pages:

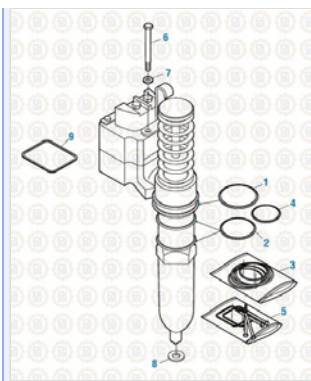
Catalog Page	Description
	<p>Detroit Diesel Engine 2019 Fuel Injector Unit - Series 60</p>

Copyright © 2020 PAI Industries, Inc.
 All rights reserved. All content is property of PAI Industries, Inc. and may not be reproduced or redistributed in any form.

Any reference to OEM names or OEM product identification numbers/descriptions/model numbers is for identification only and does not indicate that it is an OEM part. PAI is not affiliated with Mack Truck, Inc.®, Volvo®, Fuller®, Cummins®, Eaton®, Rockwell®, Caterpillar®, Freightliner®, Hendrickson®, Kenworth®, Detroit Diesel®, International®, Peterbilt®, or Dana®. All Manufacturer's names, numbers, symbols and descriptions are used for reference only. It is not implied that any part listed is the product of these manufacturers.

INJECTOR SEAL

631337



Detroit Diesel Engine 2019
 Fuel Injector Unit - Series 50

Component Of:

SKU	Image	Description
621224		INJECTOR O-RING KIT

Cross Reference:

Manufacturer	OEM Number
DETROIT DIESEL	23511870

Copyright © 2020 PAI Industries, Inc.
 All rights reserved. All content is property of PAI Industries, Inc, and may not be reproduced or redistributed in any form.

Any reference to OEM names or OEM product identification numbers/descriptions/model numbers is for identification only and does not indicate that it is an OEM part. PAI is not affiliated with Mack Truck, Inc.®, Volvo®, Fuller®, Cummins®, Eaton®, Rockwell®, Caterpillar®, Freightliner®, Hendrickson®, Kenworth®, Detroit Diesel®, International®, Peterbilt®, or Dana®. All Manufacturer's names, numbers, symbols and descriptions are used for reference only. It is not implied that any part listed is the product of these manufacturers.