

SCREW

640014



Description: SCREW
SKU: 640014
OEM: 8929393
Product Group: ENGINE PARTS
Product Class: MISCELLANEOUS INJECTION PARTS
UPC Code: 193807083489
Sell Pack: 6 EA
 (Available to buy in increments of 6)
Weight: 0.67 LBS
Warranty: 2 Years

Details:
 Screw, M10 x 1.5 x 70, Flanged Hex Head, 10.9, Class

E-Catalog Pages:

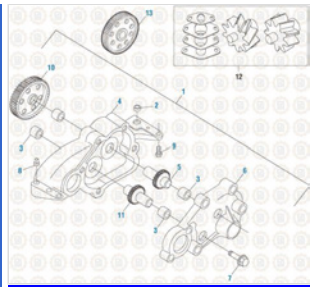
Catalog Page	Description
	<p>Hardware Progressive Size Index (Metric)</p> <p>Detroit Diesel Engine 2019 Fuel Injector Unit - Series 60</p>

Copyright © 2020 PAI Industries, Inc.
 All rights reserved. All content is property of PAI Industries, Inc, and may not be reproduced or redistributed in any form.

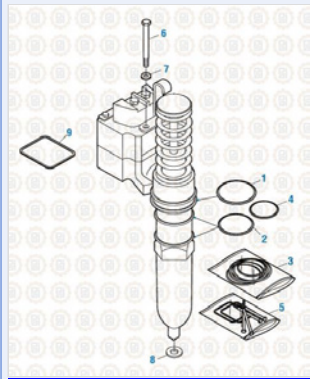
Any reference to OEM names or OEM product identification numbers/descriptions/model numbers is for identification only and does not indicate that it is an OEM part. PAI is not affiliated with Mack Truck, Inc.®, Volvo®, Fuller®, Cummins®, Eaton®, Rockwell®, Caterpillar®, Freightliner®, Hendrickson®, Kenworth®, Detroit Diesel®, International®, Peterbilt®, or Dana®. All Manufacturer's names, numbers, symbols and descriptions are used for reference only. It is not implied that any part listed is the product of these manufacturers.

SCREW

640014



Detroit Diesel Engine 2019
Oil Pump Assembly - Series 60



Detroit Diesel Engine 2019
Fuel Injector Unit - Series 50

Component Of:		
SKU	Image	Description
621239		INJECTOR KIT
621242		INJECTOR KIT
880880		BELT TENSIONER

Cross Reference:

Copyright © 2020 PAI Industries, Inc.
All rights reserved. All content is property of PAI Industries, Inc. and may not be reproduced or redistributed in any form.

Any reference to OEM names or OEM product identification numbers/descriptions/model numbers is for identification only and does not indicate that it is an OEM part. PAI is not affiliated with Mack Truck, Inc.®, Volvo®, Fuller®, Cummins®, Eaton®, Rockwell®, Caterpillar®, Freightliner®, Hendrickson®, Kenworth®, Detroit Diesel®, International®, Peterbilt®, or Dana®. All Manufacturer's names, numbers, symbols and descriptions are used for reference only. It is not implied that any part listed is the product of these manufacturers.

SCREW

640014

Manufacturer	OEM Number
DETROIT DIESEL	8929393

Copyright © 2020 PAI Industries, Inc.
All rights reserved. All content is property of PAI Industries, Inc. and may not be reproduced or redistributed in any form.

Any reference to OEM names or OEM product identification numbers/descriptions/model numbers is for identification only and does not indicate that it is an OEM part. PAI is not affiliated with Mack Truck, Inc.®, Volvo®, Fuller®, Cummins®, Eaton®, Rockwell®, Caterpillar®, Freightliner®, Hendrickson®, Kenworth®, Detroit Diesel®, International®, Peterbilt®, or Dana®. All Manufacturer's names, numbers, symbols and descriptions are used for reference only. It is not implied that any part listed is the product of these manufacturers.