

CAM BEARING (STD)

651520



Description:	CAM BEARING (STD)
SKU:	651520
OEM:	8929690
Product Group:	ENGINE PARTS
Product Class:	ENGINE BEARINGS (ALL)
UPC Code:	193807145064
Sell Pack:	1 EA
Weight:	0.40 LBS
Package Dimensions (LxWxH):	4 x 3 x 2 inches
Warranty:	2 Years



Details:

Cam Bearing
 STD
 Detroit Diesel S50/S60 Engines application

Substitute:

SKU	Sell Pack	Weight	Warranty	Description
651520HP	1	0.33 LBS	3 Years	HIGH PERFORMANCE CAM BEARING (STD)

E-Catalog Pages:

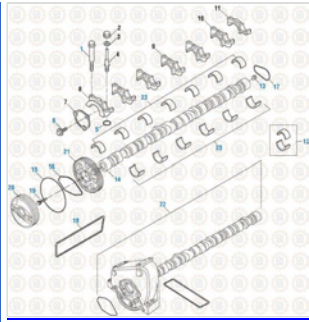
Catalog Page	Description
--------------	-------------

Copyright © 2020 PAI Industries, Inc.
 All rights reserved. All content is property of PAI Industries, Inc, and may not be reproduced or redistributed in any form.

Any reference to OEM names or OEM product identification numbers/descriptions/model numbers is for identification only and does not indicate that it is an OEM part. PAI is not affiliated with Mack Truck, Inc.®, Volvo®, Fuller®, Cummins®, Eaton®, Rockwell®, Caterpillar®, Freightliner®, Hendrickson®, Kenworth®, Detroit Diesel®, International®, Peterbilt®, or Dana®. All Manufacturer's names, numbers, symbols and descriptions are used for reference only. It is not implied that any part listed is the product of these manufacturers.

CAM BEARING (STD)

651520



Detroit Diesel Engine 2019
Camshaft - Series 60



Detroit Diesel Engine 2019
Inframe Kits - w/o Crown - Series 60



Detroit Diesel Engine 2019
Inframe Kits - w/o Crown and Skirt - Series 60



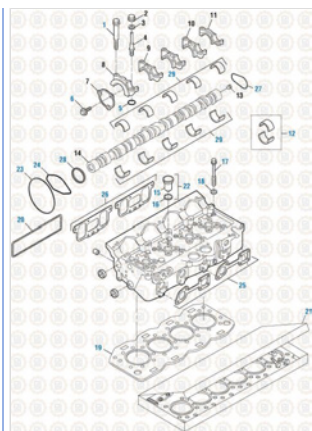
Detroit Diesel Engine 2019
Inframe Kits - Series 50

Copyright © 2020 PAI Industries, Inc.
All rights reserved. All content is property of PAI Industries, Inc, and may not be reproduced or redistributed in any form.



Any reference to OEM names or OEM product identification numbers/descriptions/model numbers is for identification only and does not indicate that it is an OEM part. PAI is not affiliated with Mack Truck, Inc.®, Volvo®, Fuller®, Cummins®, Eaton®, Rockwell®, Caterpillar®, Freightliner®, Hendrickson®, Kenworth®, Detroit Diesel®, International®, Peterbilt®, or Dana®. All Manufacturer's names, numbers, symbols and descriptions are used for reference only. It is not implied that any part listed is the product of these manufacturers.

CAM BEARING (STD)

651520



Detroit Diesel Engine 2019
Camshaft and Cylinder Head Components - Series 50

Component Of:		
SKU	Image	Description
651520F		CAM BEARING KIT
651520HP		HIGH PERFORMANCE CAM BEARING (STD)
S60001-004	.	TEST ENGINE KIT
S60141-033	.	INFRAME ENGINE KIT

Cross Reference:	
Manufacturer	OEM Number
DETROIT DIESEL	8929690
DETROIT DIESEL	8929086

Copyright © 2020 PAI Industries, Inc.
All rights reserved. All content is property of PAI Industries, Inc. and may not be reproduced or redistributed in any form.

Any reference to OEM names or OEM product identification numbers/descriptions/model numbers is for identification only and does not indicate that it is an OEM part. PAI is not affiliated with Mack Truck, Inc.®, Volvo®, Fuller®, Cummins®, Eaton®, Rockwell®, Caterpillar®, Freightliner®, Hendrickson®, Kenworth®, Detroit Diesel®, International®, Peterbilt®, or Dana®. All Manufacturer's names, numbers, symbols and descriptions are used for reference only. It is not implied that any part listed is the product of these manufacturers.