

# LOWER BEARING KIT

**671690**



<b>Description:</b>	LOWER BEARING KIT
<b>SKU:</b>	671690
<b>OEM:</b>	23533692
<b>Product Group:</b>	ENGINE PARTS
<b>Product Class:</b>	ENGINE BEARINGS (ALL)
<b>UPC Code:</b>	193807018887
<b>Sell Pack:</b>	1 EA
<b>Weight:</b>	14.89 LBS
<b>Package Dimensions (LxWxH):</b>	9 x 9 x 13 inches
<b>Warranty:</b>	2 Years

Details:
Lower Bearing kit 12.7 liter / 14 liter with EGR engine Standard size Detroit Diesel Series 60 application

Substitute:				
SKU	Sell Pack	Weight	Warranty	Description
<a href="#">671690HP</a>	1	14.92 LBS	3 Years	HIGH PERFORMANCE LOWER BEARING KIT

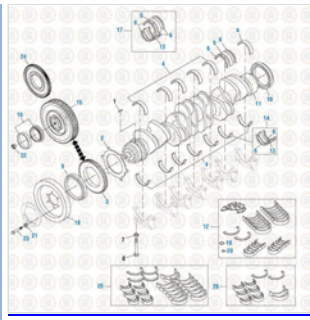
E-Catalog Pages:	
Catalog Page	Description

**Copyright © 2020 PAI Industries, Inc.**  
 All rights reserved. All content is property of PAI Industries, Inc, and may not be reproduced or redistributed in any form.




Any reference to OEM names or OEM product identification numbers/descriptions/model numbers is for identification only and does not indicate that it is an OEM part. PAI is not affiliated with Mack Truck, Inc.®, Volvo®, Fuller®, Cummins®, Eaton®, Rockwell®, Caterpillar®, Freightliner®, Hendrickson®, Kenworth®, Detroit Diesel®, International®, Peterbilt®, or Dana®. All Manufacturer's names, numbers, symbols and descriptions are used for reference only. It is not implied that any part listed is the product of these manufacturers.


# LOWER BEARING KIT

671690



**Detroit Diesel Engine 2019**  
Crankshaft - Series 60

Consists Of:				
SKU	OEM	Image	Description	Quantity
<a href="#">671610</a>	8929670		MAIN BEARING	7
<a href="#">671595</a>	23526141		ROD BEARING	6
<a href="#">671619</a>	23533688		MAIN THRUST BEARING KIT	1

Component Of:		
SKU	Image	Description
<a href="#">S60110-017</a>		INFRAME ENGINE KIT
<a href="#">S60111-033</a>	-	INFRAME ENGINE KIT
<a href="#">S60114-049</a>	-	ENGINE KIT
<a href="#">S60116-033</a>	-	INFRAME ENGINE KIT

Copyright © 2020 PAI Industries, Inc.  
All rights reserved. All content is property of PAI Industries, Inc. and may not be reproduced or redistributed in any form.

Any reference to OEM names or OEM product identification numbers/descriptions/model numbers is for identification only and does not indicate that it is an OEM part. PAI is not affiliated with Mack Truck, Inc.®, Volvo®, Fuller®, Cummins®, Eaton®, Rockwell®, Caterpillar®, Freightliner®, Hendrickson®, Kenworth®, Detroit Diesel®, International®, Peterbilt®, or Dana®. All Manufacturer's names, numbers, symbols and descriptions are used for reference only. It is not implied that any part listed is the product of these manufacturers.

# LOWER BEARING KIT

# 671690

<a href="#">S60116-081</a>	.	ENGINE KIT
<a href="#">S60117-017</a>	.	ENGINE KIT
<a href="#">S60121-049</a>	.	INFRAME ENGINE KIT
<a href="#">S60121-097</a>	.	INFRAME ENGINE KIT
<a href="#">S60138-001</a>	.	PISTONLESS ENGINE KIT
<a href="#">S60142-001</a>	.	PISTONLESS ENGINE KIT
<a href="#">S60142-033</a>	.	PISTONLESS ENGINE KIT
<a href="#">S60142-065</a>	.	PISTONLESS ENGINE KIT
<a href="#">S60143-033</a>	.	PISTONLESS ENGINE KIT
<a href="#">S60143-065</a>	.	PISTONLESS ENGINE KIT

## Cross Reference:

Manufacturer	OEM Number
DETROIT DIESEL	23533692

Copyright © 2020 PAI Industries, Inc.

All rights reserved. All content is property of PAI Industries, Inc, and may not be reproduced or redistributed in any form.

Any reference to OEM names or OEM product identification numbers/descriptions/model numbers is for identification only and does not indicate that it is an OEM part. PAI is not affiliated with Mack Truck, Inc.®, Volvo®, Fuller®, Cummins®, Eaton®, Rockwell®, Caterpillar®, Freightliner®, Hendrickson®, Kenworth®, Detroit Diesel®, International®, Peterbilt®, or Dana®. All Manufacturer's names, numbers, symbols and descriptions are used for reference only. It is not implied that any part listed is the product of these manufacturers.