

SEAL

GOS-6951



Description: SEAL
SKU: GOS-6951
OEM: 88AX463
Product Group: TRANSMISSION
Product Class: BEARINGS; BEARING, SEAL & GASKET KITS
UPC Code: 193807245719
Sell Pack: 1 EA
Weight: 0.15 LBS
Warranty: 2 Years



Details:

Seal
 3.623in Free I.D. x 4.506in O.D. x 0.47in Width
 92.02mm Free I.D. x 114.45mm O.D. x 11.93mm Width
 Primary Application: Mack T2060/T2070/T2090/T2100/T2130/T2180

E-Catalog Pages:

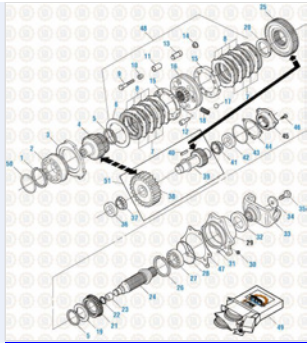
Catalog Page	Description
	<p>Drive Train 2016 Rear Case Components - T2080B</p>

Copyright © 2020 PAI Industries, Inc.
 All rights reserved. All content is property of PAI Industries, Inc. and may not be reproduced or redistributed in any form.

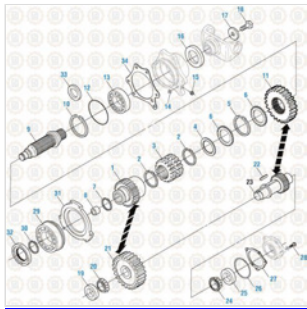
Any reference to OEM names or OEM product identification numbers/descriptions/model numbers is for identification only and does not indicate that it is an OEM part. PAI is not affiliated with Mack Truck, Inc.®, Volvo®, Fuller®, Cummins®, Eaton®, Rockwell®, Caterpillar®, Freightliner®, Hendrickson®, Kenworth®, Detroit Diesel®, International®, Peterbilt®, or Dana®. All Manufacturer's names, numbers, symbols and descriptions are used for reference only. It is not implied that any part listed is the product of these manufacturers.

SEAL

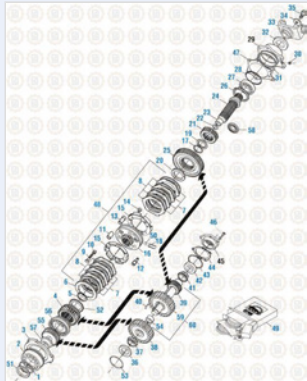
GOS-6951

**Drive Train 2016**

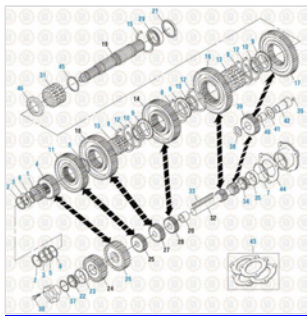
Rear Case Components - Original Design Synchronizer - T2080, T2090 and T2100

**Drive Train 2016**

Rear Case Components - T2060 & T2070

**Drive Train 2016**

Rear Case Components - T2130 and T2180

**Drive Train 2016**

Main Case Components - T2060A

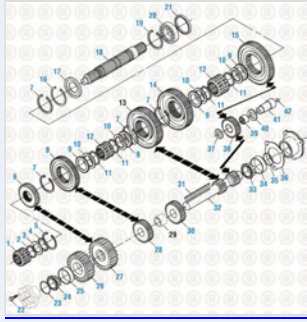
Copyright © 2020 PAI Industries, Inc.

All rights reserved. All content is property of PAI Industries, Inc. and may not be reproduced or redistributed in any form.

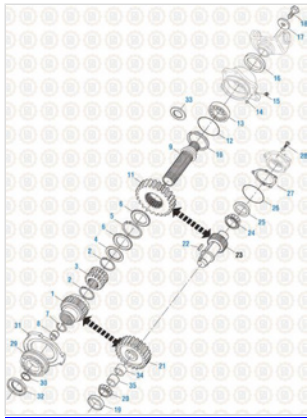
Any reference to OEM names or OEM product identification numbers/descriptions/model numbers is for identification only and does not indicate that it is an OEM part. PAI is not affiliated with Mack Truck, Inc.®, Volvo®, Fuller®, Cummins®, Eaton®, Rockwell®, Caterpillar®, Freightliner®, Hendrickson®, Kenworth®, Detroit Diesel®, International®, Peterbilt®, or Dana®. All Manufacturer's names, numbers, symbols and descriptions are used for reference only. It is not implied that any part listed is the product of these manufacturers.

SEAL

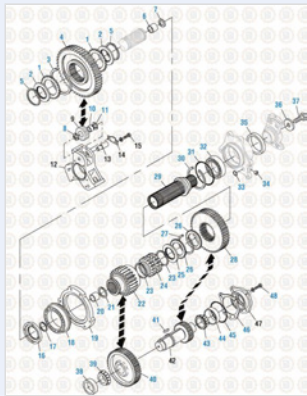
GOS-6951



Drive Train 2016
Main Case Components - Current Mainshaft Design - T2050



Drive Train 2016
Rear Case Components - T2070 A & C



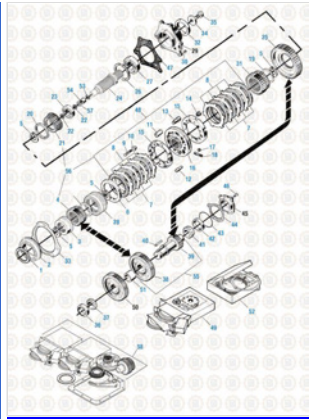
Drive Train 2016
Rear Case Components - T2070 B & D

Copyright © 2020 PAI Industries, Inc.
All rights reserved. All content is property of PAI Industries, Inc. and may not be reproduced or redistributed in any form.

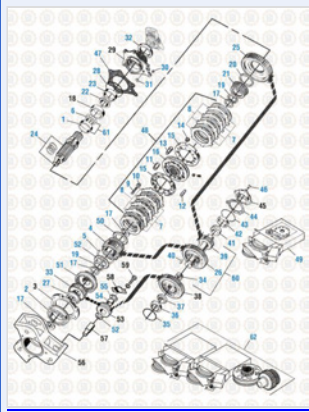
Any reference to OEM names or OEM product identification numbers/descriptions/model numbers is for identification only and does not indicate that it is an OEM part. PAI is not affiliated with Mack Truck, Inc.®, Volvo®, Fuller®, Cummins®, Eaton®, Rockwell®, Caterpillar®, Freightliner®, Hendrickson®, Kenworth®, Detroit Diesel®, International®, Peterbilt®, or Dana®. All Manufacturer's names, numbers, symbols and descriptions are used for reference only. It is not implied that any part listed is the product of these manufacturers.

SEAL

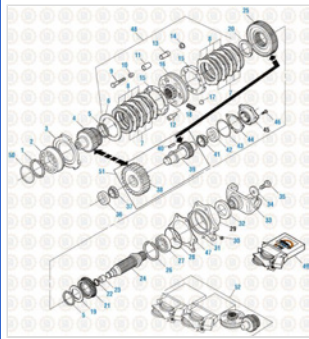
GOS-6951



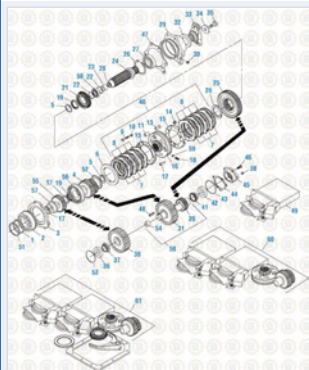
Drive Train 2016
Rear Case Components - T309L and T310



Drive Train 2016
Rear Case Components - T2110 B and D



Drive Train 2016
Rear Case Components - Updated Design Synchronizer - T2080, T2090 and T2100



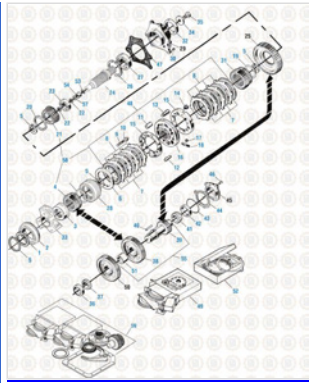
Drive Train 2016
Rear Case Components - T313L and T318L

Copyright © 2020 PAI Industries, Inc.
All rights reserved. All content is property of PAI Industries, Inc. and may not be reproduced or redistributed in any form.

Any reference to OEM names or OEM product identification numbers/descriptions/model numbers is for identification only and does not indicate that it is an OEM part. PAI is not affiliated with Mack Truck, Inc.®, Volvo®, Fuller®, Cummins®, Eaton®, Rockwell®, Caterpillar®, Freightliner®, Hendrickson®, Kenworth®, Detroit Diesel®, International®, Peterbilt®, or Dana®. All Manufacturer's names, numbers, symbols and descriptions are used for reference only. It is not implied that any part listed is the product of these manufacturers.

SEAL




GOS-6951



Drive Train 2016
Rear Case Components - T310M



Drive Train 2016
Seals - Miscellaneous






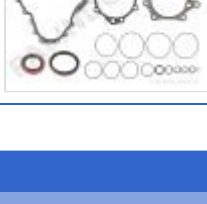
Component Of:		
SKU	Image	Description
EF65660		BEARING AND SEAL KIT
EF65670		BEARING AND SEAL KIT
EF66140		BEARING AND SEAL KIT
EF66340		BEARING AND SEAL KIT
EF69530		SEAL KIT
EF69540		SEAL
GGG-3838		GASKET KIT
GGG-3971		TRANSMISSION GASKET KIT

Copyright © 2020 PAI Industries, Inc.
All rights reserved. All content is property of PAI Industries, Inc. and may not be reproduced or redistributed in any form.

Any reference to OEM names or OEM product identification numbers/descriptions/model numbers is for identification only and does not indicate that it is an OEM part. PAI is not affiliated with Mack Truck, Inc.®, Volvo®, Fuller®, Cummins®, Eaton®, Rockwell®, Caterpillar®, Freightliner®, Hendrickson®, Kenworth®, Detroit Diesel®, International®, Peterbilt®, or Dana®. All Manufacturer's names, numbers, symbols and descriptions are used for reference only. It is not implied that any part listed is the product of these manufacturers.

SEAL

GOS-6951

GGS-3972		TRANSMISSION GASKET KIT
GBK-5942		BEARING AND SEAL KIT
GBK-8955-300		GASKET AND SEAL KIT
GBK-8956		BEARING AND SEAL KIT
GBK-8957		BEARING AND SEAL KIT
GBK-8958		BEARING AND SEAL KIT
806803		SYNCHRONIZER REPAIR KIT
806804		SYNCHRONIZER REPAIR KIT
806860		GASKET KIT

Cross Reference:

Manufacturer	OEM Number
MACK	25623778
MACK	88AX444P2
MACK	88AX455
MACK	88AX463
MACK	88AX471

Copyright © 2020 PAI Industries, Inc.

All rights reserved. All content is property of PAI Industries, Inc. and may not be reproduced or redistributed in any form.

Any reference to OEM names or OEM product identification numbers/descriptions/model numbers is for identification only and does not indicate that it is an OEM part. PAI is not affiliated with Mack Truck, Inc.®, Volvo®, Fuller®, Cummins®, Eaton®, Rockwell®, Caterpillar®, Freightliner®, Hendrickson®, Kenworth®, Detroit Diesel®, International®, Peterbilt®, or Dana®. All Manufacturer's names, numbers, symbols and descriptions are used for reference only. It is not implied that any part listed is the product of these manufacturers.