

# NUT

# BNU-7001



**Description:** NUT  
**SKU:** BNU-7001  
**OEM:** 108KH11  
**Product Group:** DIFFERENTIAL  
**Product Class:** INTERNAL GEARS AND PARTS  
**UPC Code:** 193807246129  
**Sell Pack:** 12 EA  
 (Available to buy in increments of 12)  
**Weight:** 0.63 LBS  
**Warranty:** 2 Years



**Details:**

Nut  
 5/8in-18

**E-Catalog Pages:**

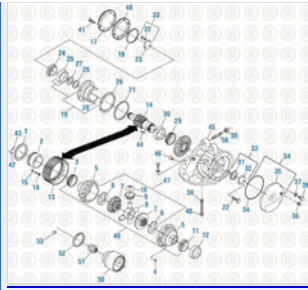
Catalog Page	Description
	<p><b>Drive Train 2016</b>                      CRDPC 92/112</p>

Copyright © 2020 PAI Industries, Inc.  
 All rights reserved. All content is property of PAI Industries, Inc. and may not be reproduced or redistributed in any form.

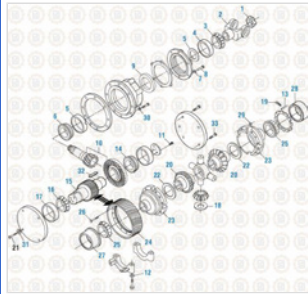
Any reference to OEM names or OEM product identification numbers/descriptions/model numbers is for identification only and does not indicate that it is an OEM part. PAI is not affiliated with Mack Truck, Inc.®, Volvo®, Fuller®, Cummins®, Eaton®, Rockwell®, Caterpillar®, Freightliner®, Hendrickson®, Kenworth®, Detroit Diesel®, International®, Peterbilt®, or Dana®. All Manufacturer's names, numbers, symbols and descriptions are used for reference only. It is not implied that any part listed is the product of these manufacturers.

# NUT

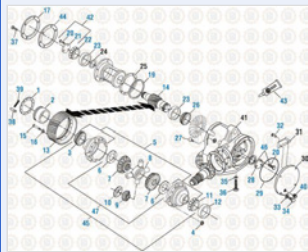
# BNU-7001



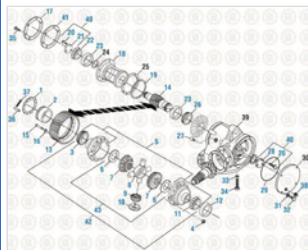
**Drive Train 2016**  
CRD 93/113



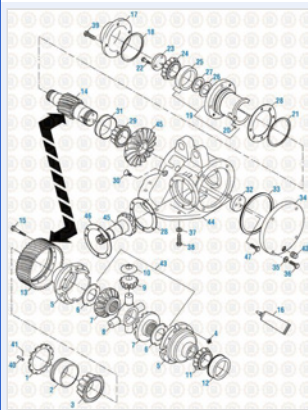
**Web Electronic**  
CRD 118 - Mack Differential



**Drive Train 2016**  
CRDP 200/202



**Drive Train 2016**  
CRD 201/203



**Drive Train 2016**  
CRD 93A

Copyright © 2020 PAI Industries, Inc.  
All rights reserved. All content is property of PAI Industries, Inc. and may not be reproduced or redistributed in any form.

Any reference to OEM names or OEM product identification numbers/descriptions/model numbers is for identification only and does not indicate that it is an OEM part. PAI is not affiliated with Mack Truck, Inc.®, Volvo®, Fuller®, Cummins®, Eaton®, Rockwell®, Caterpillar®, Freightliner®, Hendrickson®, Kenworth®, Detroit Diesel®, International®, Peterbilt®, or Dana®. All Manufacturer's names, numbers, symbols and descriptions are used for reference only. It is not implied that any part listed is the product of these manufacturers.

## NUT

## BNU-7001

## Hardware

Nuts - Progressive Size Index (Inch)

## Cross Reference:

Manufacturer	OEM Number
MACK	25499863
MACK	108KH11

**Copyright © 2020 PAI Industries, Inc.**

All rights reserved. All content is property of PAI Industries, Inc, and may not be reproduced or redistributed in any form.

Any reference to OEM names or OEM product identification numbers/descriptions/model numbers is for identification only and does not indicate that it is an OEM part. PAI is not affiliated with Mack Truck, Inc.®, Volvo®, Fuller®, Cummins®, Eaton®, Rockwell®, Caterpillar®, Freightliner®, Hendrickson®, Kenworth®, Detroit Diesel®, International®, Peterbilt®, or Dana®. All Manufacturer's names, numbers, symbols and descriptions are used for reference only. It is not implied that any part listed is the product of these manufacturers.