

# SYNCHRO UPGRADE KIT

806805



<b>Description:</b>	SYNCHRO UPGRADE KIT
<b>SKU:</b>	806805
<b>OEM:</b>	N/A
<b>Product Group:</b>	TRANSMISSION
<b>Product Class:</b>	SYNCHRONIZERS & RELATED PARTS
<b>UPC Code:</b>	193807230760
<b>Sell Pack:</b>	1 EA
<b>Weight:</b>	36.85 LBS
<b>Package Dimensions (LxWxH):</b>	11 x 11 x 15 inches
<b>Warranty:</b>	2 Years

**Details:**  
 KIT,Synchronizer UpgradeIncludes Synchronizer (1)GSA-2497Hub (1)806810 Gear (1)806831

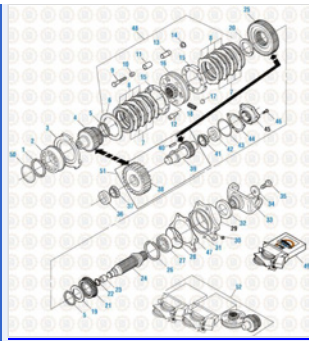
E-Catalog Pages:	
Catalog Page	Description
	<p><b>Drive Train 2016</b>                      Rear Case Components - T309L and T310</p>

Copyright © 2020 PAI Industries, Inc.  
 All rights reserved. All content is property of PAI Industries, Inc, and may not be reproduced or redistributed in any form.

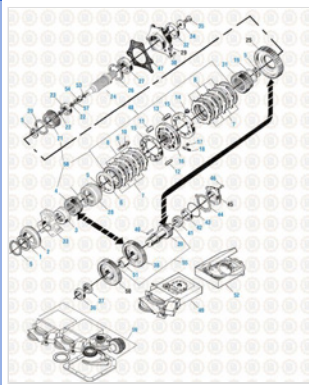
Any reference to OEM names or OEM product identification numbers/descriptions/model numbers is for identification only and does not indicate that it is an OEM part. PAI is not affiliated with Mack Truck, Inc.®, Volvo®, Fuller®, Cummins®, Eaton®, Rockwell®, Caterpillar®, Freightliner®, Hendrickson®, Kenworth®, Detroit Diesel®, International®, Peterbilt®, or Dana®. All Manufacturer's names, numbers, symbols and descriptions are used for reference only. It is not implied that any part listed is the product of these manufacturers.

# SYNCHRO UPGRADE KIT

806805



**Drive Train 2016**  
Rear Case Components - Updated Design Synchronizer - T2080, T2090 and T2100



**Drive Train 2016**  
Rear Case Components - T310M

**Consists Of:**

SKU	OEM	Image	Description	Quantity
<a href="#">806810</a>	84KC410		LO RANGE HUB	1
<a href="#">806831</a>	764KB4278		COMPOUND GEAR	1
<a href="#">GSA-249Z</a>	320KB464		SYNCHRONIZER ASSEMBLY	1

Copyright © 2020 PAI Industries, Inc.  
All rights reserved. All content is property of PAI Industries, Inc. and may not be reproduced or redistributed in any form.

Any reference to OEM names or OEM product identification numbers/descriptions/model numbers is for identification only and does not indicate that it is an OEM part. PAI is not affiliated with Mack Truck, Inc.®, Volvo®, Fuller®, Cummins®, Eaton®, Rockwell®, Caterpillar®, Freightliner®, Hendrickson®, Kenworth®, Detroit Diesel®, International®, Peterbilt®, or Dana®. All Manufacturer's names, numbers, symbols and descriptions are used for reference only. It is not implied that any part listed is the product of these manufacturers.