

SYNCHRONIZER UPGRADE KIT

806806

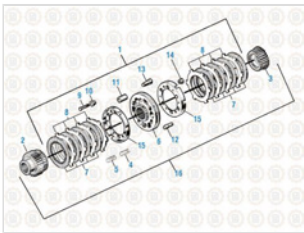
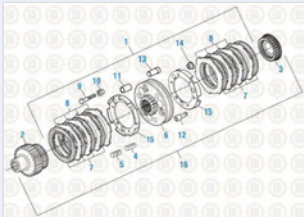


Description:	SYNCHRONIZER UPGRADE KIT
SKU:	806806
OEM:	N/A
Product Group:	TRANSMISSION
Product Class:	SYNCHRONIZERS & RELATED PARTS
UPC Code:	193807230791
Sell Pack:	1 EA
Weight:	33.50 LBS
Package Dimensions (LxWxH):	11 x 11 x 15 inches
Warranty:	2 Years

Details:

Synchronizer Upgrade Kit
Mack T2080B Series application

E-Catalog Pages:

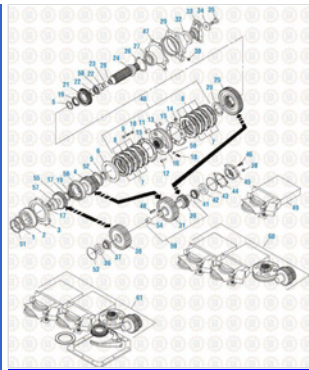
Catalog Page	Description
	Drive Train 2016 Synchronizer Update - T2080B
	Drive Train 2016 Synchronizer Update - T2130 and T2180

Copyright © 2020 PAI Industries, Inc.
All rights reserved. All content is property of PAI Industries, Inc. and may not be reproduced or redistributed in any form.

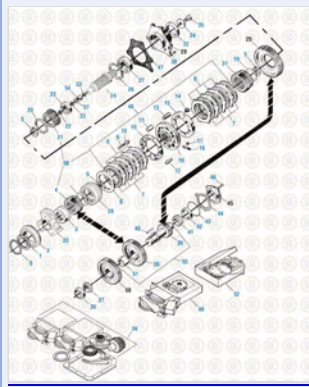
Any reference to OEM names or OEM product identification numbers/descriptions/model numbers is for identification only and does not indicate that it is an OEM part. PAI is not affiliated with Mack Truck, Inc.®, Volvo®, Fuller®, Cummins®, Eaton®, Rockwell®, Caterpillar®, Freightliner®, Hendrickson®, Kenworth®, Detroit Diesel®, International®, Peterbilt®, or Dana®. All Manufacturer's names, numbers, symbols and descriptions are used for reference only. It is not implied that any part listed is the product of these manufacturers.

SYNCHRONIZER UPGRADE KIT

806806



Drive Train 2016
Rear Case Components - T313L and T318L



Drive Train 2016
Rear Case Components - T310M

Consists Of:

SKU	OEM	Image	Description	Quantity
806811	84KC411		LO RANGE HUB	1
806829	751KB4176		MAIN DRIVE GEAR	1
GSA-2497	320KB464		SYNCHRONIZER ASSEMBLY	1

Copyright © 2020 PAI Industries, Inc.
All rights reserved. All content is property of PAI Industries, Inc. and may not be reproduced or redistributed in any form.

Any reference to OEM names or OEM product identification numbers/descriptions/model numbers is for identification only and does not indicate that it is an OEM part. PAI is not affiliated with Mack Truck, Inc.®, Volvo®, Fuller®, Cummins®, Eaton®, Rockwell®, Caterpillar®, Freightliner®, Hendrickson®, Kenworth®, Detroit Diesel®, International®, Peterbilt®, or Dana®. All Manufacturer's names, numbers, symbols and descriptions are used for reference only. It is not implied that any part listed is the product of these manufacturers.