

INTAKE VALVE

EM81370



Description: INTAKE VALVE
SKU: EM81370
OEM: 690GC410
Product Group: ENGINE PARTS
Product Class: VALVES & VALVE TRAIN, ROCKER COVER PARTS
UPC Code: 193807110529
Sell Pack: 2 EA
 (Available to buy in increments of 2)
Weight: 0.77 LBS
Warranty: 1 Year



Details:
 Mack E7, E-Tech, ASET Application

Substitute:

| SKU | Sell Pack | Weight | Warranty | Description |
|--------------------------|-----------|----------|----------|--------------|
| EVA-8137 | 6 | 2.40 LBS | 2 Years | INTAKE VALVE |

E-Catalog Pages:

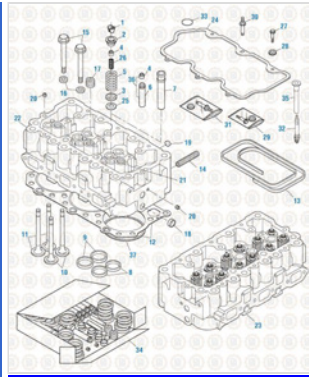
| Catalog Page | Description |
|--------------|-------------|
| | |

Copyright © 2020 PAI Industries, Inc.
 All rights reserved. All content is property of PAI Industries, Inc, and may not be reproduced or redistributed in any form.

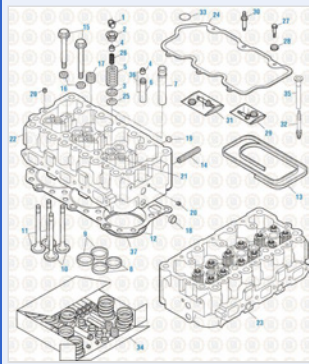
Any reference to OEM names or OEM product identification numbers/descriptions/model numbers is for identification only and does not indicate that it is an OEM part. PAI is not affiliated with Mack Truck, Inc.®, Volvo®, Fuller®, Cummins®, Eaton®, Rockwell®, Caterpillar®, Freightliner®, Hendrickson®, Kenworth®, Detroit Diesel®, International®, Peterbilt®, or Dana®. All Manufacturer's names, numbers, symbols and descriptions are used for reference only. It is not implied that any part listed is the product of these manufacturers.

INTAKE VALVE

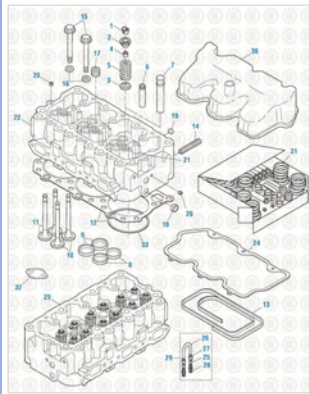
EM81370



PAI Mack & Volvo Applications 2018
E-Tech, ASET - E7 Series



Volvo / Renault Engine Components 2015
Cylinder Head Assembly - E-Tech - Renault / E-Tech



PAI Mack & Volvo Applications 2018
E7 - E7 Series

Cross Reference:

| Manufacturer | OEM Number |
|--------------|------------|
| MACK | 690GC410 |

Copyright © 2020 PAI Industries, Inc.

All rights reserved. All content is property of PAI Industries, Inc. and may not be reproduced or redistributed in any form.

Any reference to OEM names or OEM product identification numbers/descriptions/model numbers is for identification only and does not indicate that it is an OEM part. PAI is not affiliated with Mack Truck, Inc.®, Volvo®, Fuller®, Cummins®, Eaton®, Rockwell®, Caterpillar®, Freightliner®, Hendrickson®, Kenworth®, Detroit Diesel®, International®, Peterbilt®, or Dana®. All Manufacturer's names, numbers, symbols and descriptions are used for reference only. It is not implied that any part listed is the product of these manufacturers.