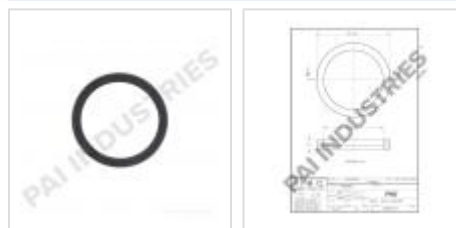


# SEAL

# 821071



**Description:** SEAL  
**SKU:** 821071  
**OEM:** 1547253  
**Product Group:** ENGINE PARTS  
**Product Class:** EGR & DPF SYSTEMS PARTS, INCLUDING SENSORS  
**UPC Code:** 193807037116  
**Sell Pack:** 4 EA  
 (Available to buy in increments of 4)  
**Weight:** 0.06 LBS  
**Warranty:** 2 Years



**Details:**

Rectangular Sealing Ring, 1.625 in I.D. x 0.199 in C/S x 0.28 in Thick  
 41.275 mm I.D. x 5.054 mm C/S x 7.112 mm Thick, Viton (70) Black

**E-Catalog Pages:**

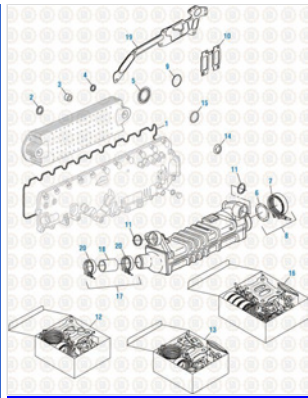
Catalog Page	Description
	<p><b>PAI Mack &amp; Volvo Applications 2018</b>                  Oil Cooler and EGR Cooler - D11 / D13 Series</p>

Copyright © 2020 PAI Industries, Inc.  
 All rights reserved. All content is property of PAI Industries, Inc, and may not be reproduced or redistributed in any form.

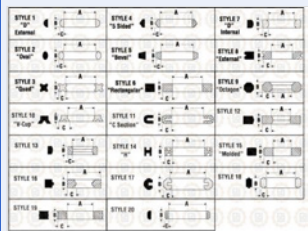
Any reference to OEM names or OEM product identification numbers/descriptions/model numbers is for identification only and does not indicate that it is an OEM part. PAI is not affiliated with Mack Truck, Inc.®, Volvo®, Fuller®, Cummins®, Eaton®, Rockwell®, Caterpillar®, Freightliner®, Hendrickson®, Kenworth®, Detroit Diesel®, International®, Peterbilt®, or Dana®. All Manufacturer's names, numbers, symbols and descriptions are used for reference only. It is not implied that any part listed is the product of these manufacturers.

# SEAL

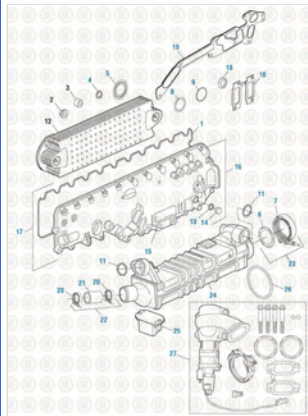
# 821071



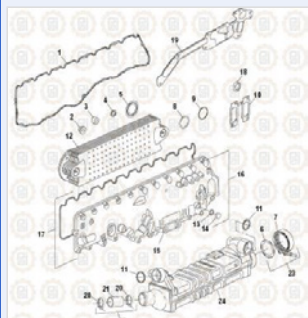
**Volvo / Renault Engine Components 2015**  
Oil Cooler and EGR Cooler - Volvo D12



**O-Rings**  
Rectangular Sealing Rings



**PAI Mack & Volvo Applications 2018**  
Oil Cooler and EGR Cooler - MP7 / MP8 Series



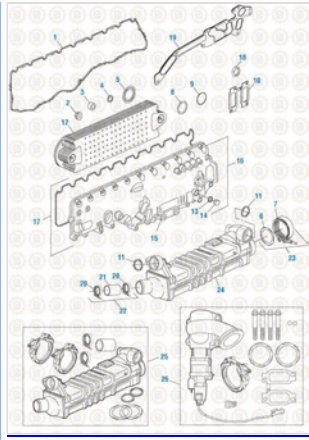
**Volvo / Renault Engine Components 2015**  
Oil Cooler - Renault DXi 11 / Renault DXi 13

Copyright © 2020 PAI Industries, Inc.  
All rights reserved. All content is property of PAI Industries, Inc. and may not be reproduced or redistributed in any form.

Any reference to OEM names or OEM product identification numbers/descriptions/model numbers is for identification only and does not indicate that it is an OEM part. PAI is not affiliated with Mack Truck, Inc.®, Volvo®, Fuller®, Cummins®, Eaton®, Rockwell®, Caterpillar®, Freightliner®, Hendrickson®, Kenworth®, Detroit Diesel®, International®, Peterbilt®, or Dana®. All Manufacturer's names, numbers, symbols and descriptions are used for reference only. It is not implied that any part listed is the product of these manufacturers.

# SEAL

# 821071



**Volvo / Renault Engine Components 2015**  
Oil Cooler - Volvo D11 / D13

Component Of:		
SKU	Image	Description
<a href="#">831060</a>		HEAD GASKET SET
<a href="#">831063</a>		HEAD GASKET SET
<a href="#">831092</a>		VALVE COVER GASKET SEAL KIT
<a href="#">831104</a>		CRANKCASE GASKET KIT
<a href="#">831140</a>		LOWER GASKET SET
<a href="#">841955</a>		EGR COOLER

Cross Reference:	
Manufacturer	OEM Number
MACK	1547253
MACK	20493974

Copyright © 2020 PAI Industries, Inc.  
All rights reserved. All content is property of PAI Industries, Inc. and may not be reproduced or redistributed in any form.

Any reference to OEM names or OEM product identification numbers/descriptions/model numbers is for identification only and does not indicate that it is an OEM part. PAI is not affiliated with Mack Truck, Inc.®, Volvo®, Fuller®, Cummins®, Eaton®, Rockwell®, Caterpillar®, Freightliner®, Hendrickson®, Kenworth®, Detroit Diesel®, International®, Peterbilt®, or Dana®. All Manufacturer's names, numbers, symbols and descriptions are used for reference only. It is not implied that any part listed is the product of these manufacturers.

# SEAL

# 821071

MACK	21532258
VOLVO	1547253

**Copyright © 2020 PAI Industries, Inc.**

All rights reserved. All content is property of PAI Industries, Inc. and may not be reproduced or redistributed in any form.

Any reference to OEM names or OEM product identification numbers/descriptions/model numbers is for identification only and does not indicate that it is an OEM part. PAI is not affiliated with Mack Truck, Inc.®, Volvo®, Fuller®, Cummins®, Eaton®, Rockwell®, Caterpillar®, Freightliner®, Hendrickson®, Kenworth®, Detroit Diesel®, International®, Peterbilt®, or Dana®. All Manufacturer's names, numbers, symbols and descriptions are used for reference only. It is not implied that any part listed is the product of these manufacturers.