

# SLEEVE

# ESL-8288



<b>Description:</b>	SLEEVE
<b>SKU:</b>	ESL-8288
<b>OEM:</b>	509GC463
<b>Product Group:</b>	ENGINE PARTS
<b>Product Class:</b>	CYLINDER LINERS (SLEEVES)
<b>UPC Code:</b>	193807258177
<b>Sell Pack:</b>	1 EA
<b>Weight:</b>	8.55 LBS
<b>Package Dimensions (LxWxH):</b>	6 x 6 x 13 inches
<b>Warranty:</b>	2 Years



**Details:**

Sleeve  
 Use with EGK-8429 Gasket-E7/EGK-8434 Gasket-E-Tech/ASET

**E-Catalog Pages:**

Catalog Page	Description
	<p><b>PAI Mack &amp; Volvo Applications 2018</b>                  Crownless</p>

Copyright © 2020 PAI Industries, Inc.  
 All rights reserved. All content is property of PAI Industries, Inc, and may not be reproduced or redistributed in any form.

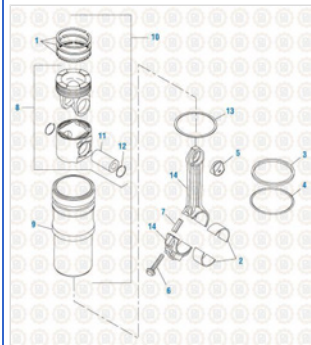
Any reference to OEM names or OEM product identification numbers/descriptions/model numbers is for identification only and does not indicate that it is an OEM part. PAI is not affiliated with Mack Truck, Inc.®, Volvo®, Fuller®, Cummins®, Eaton®, Rockwell®, Caterpillar®, Freightliner®, Hendrickson®, Kenworth®, Detroit Diesel®, International®, Peterbilt®, or Dana®. All Manufacturer's names, numbers, symbols and descriptions are used for reference only. It is not implied that any part listed is the product of these manufacturers.

# SLEEVE

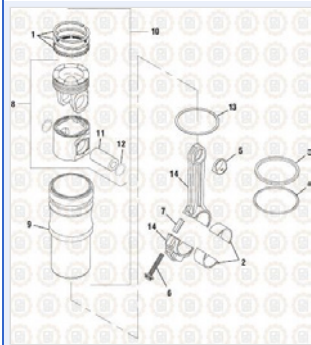
# ESL-8288



**PAI Mack & Volvo Applications 2018**  
w/o Piston



**PAI Mack & Volvo Applications 2018**  
Piston Kits, Cylinder Kits, Ring Sets and Rod Bearings - E7 / E-Tech / ASET



**Volvo / Renault Engine Components 2015**  
Piston Kits, Cylinder Kits, Ring Sets and Rod Bearings - Renault / E-Tech



**PAI Mack & Volvo Applications 2018**  
Rebuild Kit Breakdowns - E7 Series

Component Of:		
SKU	Image	Description
<a href="#">ERK-8035-001</a>	.	ENGINE KIT
<a href="#">ERK-8035-002</a>	.	ENGINE KIT

Copyright © 2020 PAI Industries, Inc.  
All rights reserved. All content is property of PAI Industries, Inc, and may not be reproduced or redistributed in any form.

Any reference to OEM names or OEM product identification numbers/descriptions/model numbers is for identification only and does not indicate that it is an OEM part. PAI is not affiliated with Mack Truck, Inc.®, Volvo®, Fuller®, Cummins®, Eaton®, Rockwell®, Caterpillar®, Freightliner®, Hendrickson®, Kenworth®, Detroit Diesel®, International®, Peterbilt®, or Dana®. All Manufacturer's names, numbers, symbols and descriptions are used for reference only. It is not implied that any part listed is the product of these manufacturers.

## SLEEVE

## ESL-8288

<a href="#">ERK-8035-003</a>	.	ENGINE KIT
<a href="#">ERK-8035-005</a>	.	ENGINE KIT
<a href="#">ERK-8035-006</a>	.	ENGINE KIT
<a href="#">ERK-8035-007</a>	.	ENGINE KIT
<a href="#">ERK-8035-009</a>	.	ENGINE KIT
<a href="#">ERK-8035-010</a>	.	ENGINE KIT
<a href="#">ERK-8035-011</a>	.	ENGINE KIT
<a href="#">ERK-8035-014</a>	.	ENGINE KIT
<a href="#">ERK-8035-016</a>	.	ENGINE KIT
<a href="#">ERK-8035M-001</a>	.	ENGINE KIT
<a href="#">ERK-8036M-001</a>	.	ENGINE KIT
<a href="#">ERK-8037-001</a>	.	ENGINE KIT
<a href="#">ERK-8037-002</a>	.	INFRAME ENGINE KIT
<a href="#">ERK-8037-006</a>	.	INFRAME ENGINE KIT
<a href="#">ERK-8037-010</a>	.	ENGINE KIT
<a href="#">ERK-8037-011</a>	.	ENGINE KIT
<a href="#">ERK-8038-001</a>	.	ENGINE KIT
<a href="#">ERK-8038-006</a>	.	ENGINE KIT
<a href="#">ERK-8038-007</a>	.	ENGINE KIT
<a href="#">ERK-8038-009</a>	.	ENGINE KIT
<a href="#">ERK-8038-010</a>	.	ENGINE KIT
<a href="#">ERK-8038-011</a>	.	ENGINE KIT
<a href="#">ERK-8038-016</a>	.	ENGINE KIT
<a href="#">ERK-8038-017</a>	.	ENGINE KIT
<a href="#">ERK-8047-001</a>	.	ENGINE KIT
<a href="#">ERK-8047-006</a>	.	INFRAME ENGINE KIT
<a href="#">ERK-8048-001</a>	.	ENGINE KIT
<a href="#">ERK-8048-006</a>	.	INFRAME ENGINE KIT
<a href="#">ERK-8048-017</a>	.	ENGINE KIT

<a href="#">ELK-8897</a>		CYLINDER KIT
--------------------------	---	--------------

<a href="#">ELK-8897HP</a>	.	HIGH PERFORMANCE CYLINDER KIT
----------------------------	---	-------------------------------

Copyright © 2020 PAI Industries, Inc.

All rights reserved. All content is property of PAI Industries, Inc. and may not be reproduced or redistributed in any form.

Any reference to OEM names or OEM product identification numbers/descriptions/model numbers is for identification only and does not indicate that it is an OEM part. PAI is not affiliated with Mack Truck, Inc.®, Volvo®, Fuller®, Cummins®, Eaton®, Rockwell®, Caterpillar®, Freightliner®, Hendrickson®, Kenworth®, Detroit Diesel®, International®, Peterbilt®, or Dana®. All Manufacturer's names, numbers, symbols and descriptions are used for reference only. It is not implied that any part listed is the product of these manufacturers.

## SLEEVE

## ESL-8288

[ELK-8907](#)

CYLINDER KIT

[ELK-8914](#)

CYLINDER KIT

[ELK-8914HP](#)

HIGH PERFORMANCE CYLINDER KIT

[ELK-8928](#)

CYLINDER KIT

[ELK-8928HP](#)

HIGH PERFORMANCE CYLINDER KIT

[ELK-8929](#)

CYLINDER KIT

[ELK-8948](#)

LINER KIT

[ELK-8948HP](#)

HIGH PERFORMANCE CYLINDER KIT

[ELK-8952](#)

CYLINDER KIT

[ELK-8952HP](#)

HIGH PERFORMANCE CYLINDER KIT

[801175](#)

CYLINDER KIT

[803861](#)

CYLINDER KIT

Copyright © 2020 PAI Industries, Inc.

All rights reserved. All content is property of PAI Industries, Inc. and may not be reproduced or redistributed in any form.

Any reference to OEM names or OEM product identification numbers/descriptions/model numbers is for identification only and does not indicate that it is an OEM part. PAI is not affiliated with Mack Truck, Inc.®, Volvo®, Fuller®, Cummins®, Eaton®, Rockwell®, Caterpillar®, Freightliner®, Hendrickson®, Kenworth®, Detroit Diesel®, International®, Peterbilt®, or Dana®. All Manufacturer's names, numbers, symbols and descriptions are used for reference only. It is not implied that any part listed is the product of these manufacturers.

## SLEEVE

ESL-8288

## Cross Reference:

Manufacturer	OEM Number
MACK	25501699
MACK	509GC465
MACK	509GC463
MACK	509GC475
MACK	509GC466
MACK	20706103
MACK	20706156
MACK	4103-5010284447
RENAULT	5010284447
VOLVO	25501699

**Copyright © 2020 PAI Industries, Inc.**

All rights reserved. All content is property of PAI Industries, Inc, and may not be reproduced or redistributed in any form.

Any reference to OEM names or OEM product identification numbers/descriptions/model numbers is for identification only and does not indicate that it is an OEM part. PAI is not affiliated with Mack Truck, Inc.®, Volvo®, Fuller®, Cummins®, Eaton®, Rockwell®, Caterpillar®, Freightliner®, Hendrickson®, Kenworth®, Detroit Diesel®, International®, Peterbilt®, or Dana®. All Manufacturer's names, numbers, symbols and descriptions are used for reference only. It is not implied that any part listed is the product of these manufacturers.