

EGR GASKET

831010



Description: EGR GASKET
SKU: 831010
OEM: 449GC236M
Product Group: ENGINE PARTS
Product Class: EGR & DPF SYSTEMS PARTS, INCLUDING SENSORS
UPC Code: 193807074944
Sell Pack: 2 EA
 (Available to buy in increments of 2)
Weight: 0.08 LBS
Warranty: 2 Years



Details:

EGR Gasket
 V-Band Clamp
 60.25mm ID
 Mack E7 Series application

E-Catalog Pages:

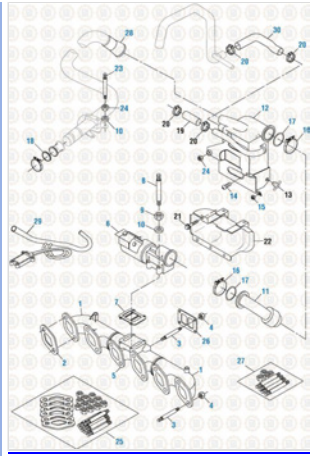
Catalog Page	Description

Copyright © 2020 PAI Industries, Inc.
 All rights reserved. All content is property of PAI Industries, Inc, and may not be reproduced or redistributed in any form.

Any reference to OEM names or OEM product identification numbers/descriptions/model numbers is for identification only and does not indicate that it is an OEM part. PAI is not affiliated with Mack Truck, Inc.®, Volvo®, Fuller®, Cummins®, Eaton®, Rockwell®, Caterpillar®, Freightliner®, Hendrickson®, Kenworth®, Detroit Diesel®, International®, Peterbilt®, or Dana®. All Manufacturer's names, numbers, symbols and descriptions are used for reference only. It is not implied that any part listed is the product of these manufacturers.

EGR GASKET

831010



PAI Mack & Volvo Applications 2018
 Exhaust Manifold - ASET Engine w/ EGR Valve - E7 Series

Cross Reference:

Manufacturer	OEM Number
MACK	25624065
MACK	449GC236M
VOLVO	25624065

Copyright © 2020 PAI Industries, Inc.

All rights reserved. All content is property of PAI Industries, Inc, and may not be reproduced or redistributed in any form.

Any reference to OEM names or OEM product identification numbers/descriptions/model numbers is for identification only and does not indicate that it is an OEM part. PAI is not affiliated with Mack Truck, Inc.®, Volvo®, Fuller®, Cummins®, Eaton®, Rockwell®, Caterpillar®, Freightliner®, Hendrickson®, Kenworth®, Detroit Diesel®, International®, Peterbilt®, or Dana®. All Manufacturer's names, numbers, symbols and descriptions are used for reference only. It is not implied that any part listed is the product of these manufacturers.