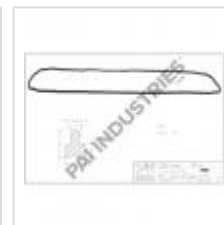


OIL PAN GASKET

831049



Description: OIL PAN GASKET
SKU: 831049
OEM: 20541940
Product Group: ENGINE PARTS
Product Class: ENGINE GASKETS, O-RINGS & GASKET SETS
UPC Code: 193807075354
Sell Pack: 1 EA
Weight: 0.68 LBS
Warranty: 2 Years



Details:

Oil Pan Gasket
 Mack MP Series application

E-Catalog Pages:

Catalog Page	Description
	<p>PAI Mack & Volvo Applications 2018 Crankshaft and Oil Pan - D11 / D13 Series</p> <p style="text-align: center;">Heavy Duty Oil Pans and Gaskets</p>

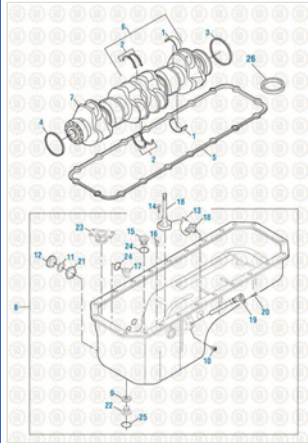
Copyright © 2020 PAI Industries, Inc.
 All rights reserved. All content is property of PAI Industries, Inc, and may not be reproduced or redistributed in any form.

Any reference to OEM names or OEM product identification numbers/descriptions/model numbers is for identification only and does not indicate that it is an OEM part. PAI is not affiliated with Mack Truck, Inc.®, Volvo®, Fuller®, Cummins®, Eaton®, Rockwell®, Caterpillar®, Freightliner®, Hendrickson®, Kenworth®, Detroit Diesel®, International®, Peterbilt®, or Dana®. All Manufacturer's names, numbers, symbols and descriptions are used for reference only. It is not implied that any part listed is the product of these manufacturers.

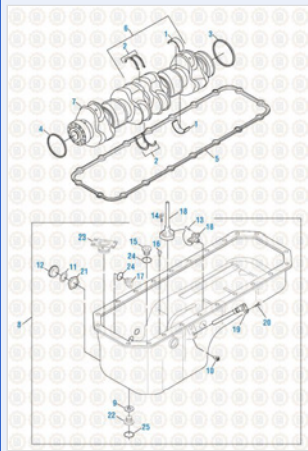
OIL PAN GASKET

831049

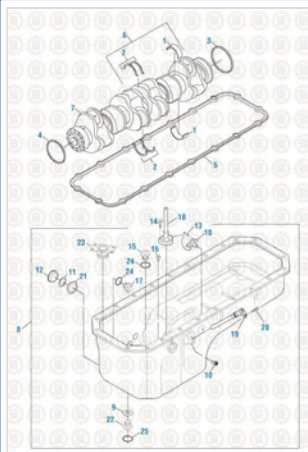
Oil Pan Gasket



PAI Mack & Volvo Applications 2018
Crankshaft and Oil Pan - MP7 / MP8 Series



Volvo / Renault Engine Components 2015
Crankshaft - Renault DXi 11 / Renault DXi 13



Volvo / Renault Engine Components 2015
Crankshaft - Volvo D11 / D13

Component Of:

SKU	Image	Description
-----	-------	-------------

Copyright © 2020 PAI Industries, Inc.
All rights reserved. All content is property of PAI Industries, Inc, and may not be reproduced or redistributed in any form.

Any reference to OEM names or OEM product identification numbers/descriptions/model numbers is for identification only and does not indicate that it is an OEM part. PAI is not affiliated with Mack Truck, Inc.®, Volvo®, Fuller®, Cummins®, Eaton®, Rockwell®, Caterpillar®, Freightliner®, Hendrickson®, Kenworth®, Detroit Diesel®, International®, Peterbilt®, or Dana®. All Manufacturer's names, numbers, symbols and descriptions are used for reference only. It is not implied that any part listed is the product of these manufacturers.

OIL PAN GASKET

831049

[831140](#)

LOWER GASKET SET

Cross Reference:

Manufacturer	OEM Number
MACK	20541940
VOLVO	20541940

Copyright © 2020 PAI Industries, Inc.

All rights reserved. All content is property of PAI Industries, Inc, and may not be reproduced or redistributed in any form.

Any reference to OEM names or OEM product identification numbers/descriptions/model numbers is for identification only and does not indicate that it is an OEM part. PAI is not affiliated with Mack Truck, Inc.®, Volvo®, Fuller®, Cummins®, Eaton®, Rockwell®, Caterpillar®, Freightliner®, Hendrickson®, Kenworth®, Detroit Diesel®, International®, Peterbilt®, or Dana®. All Manufacturer's names, numbers, symbols and descriptions are used for reference only. It is not implied that any part listed is the product of these manufacturers.