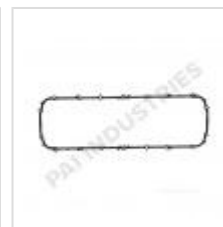


# OIL PAN GASKET

**831050**




|                                    |                                       |
|------------------------------------|---------------------------------------|
| <b>Description:</b>                | OIL PAN GASKET                        |
| <b>SKU:</b>                        | 831050                                |
| <b>OEM:</b>                        | 20539127                              |
| <b>Product Group:</b>              | ENGINE PARTS                          |
| <b>Product Class:</b>              | ENGINE GASKETS, O-RINGS & GASKET SETS |
| <b>UPC Code:</b>                   | 193807075361                          |
| <b>Sell Pack:</b>                  | 1 EA                                  |
| <b>Weight:</b>                     | 2.40 LBS                              |
| <b>Package Dimensions (LxWxH):</b> | 48 x 19 x 1 inches                    |
| <b>Warranty:</b>                   | 2 Years                               |



**Details:**

Oil Pan Gasket  
Mack MP Series application

**E-Catalog Pages:**

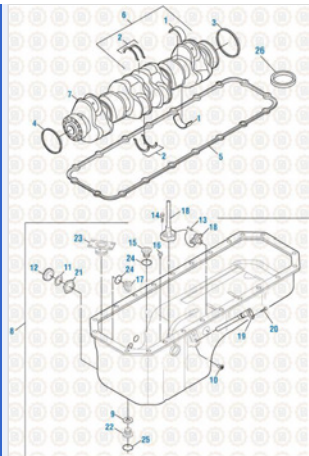
| Catalog Page   | Description   |
|--|---|
|  <p><b>CHART</b></p> | <p><b>PAI Mack &amp; Volvo Applications 2018</b><br/>Rebuild Kit Breakdown - MP7 / MP8 Series</p> |

**Copyright © 2020 PAI Industries, Inc.**  
All rights reserved. All content is property of PAI Industries, Inc, and may not be reproduced or redistributed in any form.

Any reference to OEM names or OEM product identification numbers/descriptions/model numbers is for identification only and does not indicate that it is an OEM part. PAI is not affiliated with Mack Truck, Inc.®, Volvo®, Fuller®, Cummins®, Eaton®, Rockwell®, Caterpillar®, Freightliner®, Hendrickson®, Kenworth®, Detroit Diesel®, International®, Peterbilt®, or Dana®. All Manufacturer's names, numbers, symbols and descriptions are used for reference only. It is not implied that any part listed is the product of these manufacturers.

# OIL PAN GASKET

831050



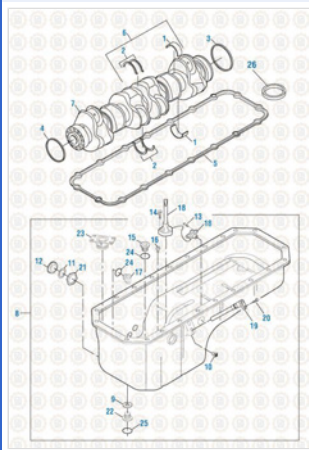
**PAI Mack & Volvo Applications 2018**  
Crankshaft and Oil Pan - D11 / D13 Series



**PAI Mack & Volvo Applications 2018**  
Rebuild Kit Breakdown - D11 / D13 Series



**PAI Mack & Volvo Applications 2018**  
Rebuild Kit Breakdown - w/o Piston - D11 / D13 Series



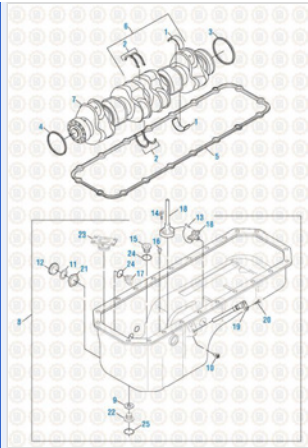
**PAI Mack & Volvo Applications 2018**  
Crankshaft and Oil Pan - MP7 / MP8 Series

Copyright © 2020 PAI Industries, Inc.  
All rights reserved. All content is property of PAI Industries, Inc, and may not be reproduced or redistributed in any form.

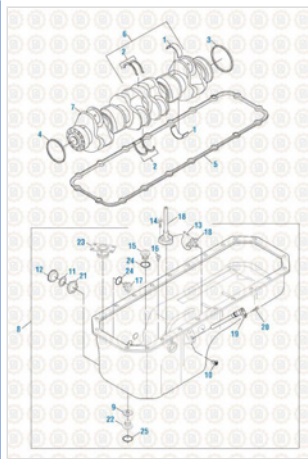
Any reference to OEM names or OEM product identification numbers/descriptions/model numbers is for identification only and does not indicate that it is an OEM part. PAI is not affiliated with Mack Truck, Inc.®, Volvo®, Fuller®, Cummins®, Eaton®, Rockwell®, Caterpillar®, Freightliner®, Hendrickson®, Kenworth®, Detroit Diesel®, International®, Peterbilt®, or Dana®. All Manufacturer's names, numbers, symbols and descriptions are used for reference only. It is not implied that any part listed is the product of these manufacturers.

## OIL PAN GASKET

831050



**Volvo / Renault Engine Components 2015**  
Crankshaft - Renault DXi 11 / Renault DXi 13



**Volvo / Renault Engine Components 2015**  
Crankshaft - Volvo D11 / D13

## Component Of:

| SKU                        | Image | Description |
|----------------------------|-------|-------------|
| <a href="#">D11101-001</a> | .     | ENGINE KIT  |
| <a href="#">D11140-001</a> | .     | ENGINE KIT  |
| <a href="#">MP7101-001</a> | .     | ENGINE KIT  |
| <a href="#">MP7101-008</a> | .     | ENGINE KIT  |
| <a href="#">MP7140-001</a> | .     | ENGINE KIT  |

## Cross Reference:

| Manufacturer | OEM Number |
|--------------|------------|
| MACK         | 20539127   |
| MACK         | 7420539127 |
| MACK         | 21517690   |
| RENAULT      | 7420539127 |
| VOLVO        | 20539127   |
| VOLVO        | 7420539127 |