

SEAL

836022



Description: SEAL
SKU: 836022
OEM: 8148259
Product Group: ENGINE PARTS
Product Class: CRANKSHAFTS & SEALS
UPC Code: 193807101336
Sell Pack: 1 EA
Weight: 0.55 LBS
Warranty: 2 Years



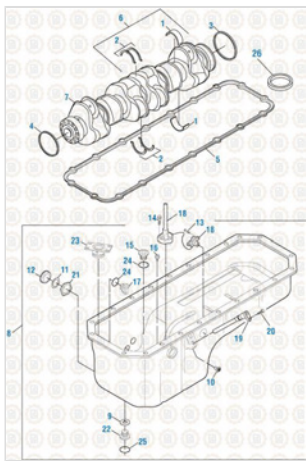
Details:

SEAL, 5.75 in Free ID x 7.094 in OD x 0.583 in Width
 146.05 mm Free ID x 180.18 mm OD x 14.8 mm Width, Primary Application : Mack MP7 Rear Crankshaft

E-Catalog Pages:

Catalog Page

Description



PAI Mack & Volvo Applications 2018
 Crankshaft and Oil Pan - D11 / D13 Series

Copyright © 2020 PAI Industries, Inc.

All rights reserved. All content is property of PAI Industries, Inc, and may not be reproduced or redistributed in any form.

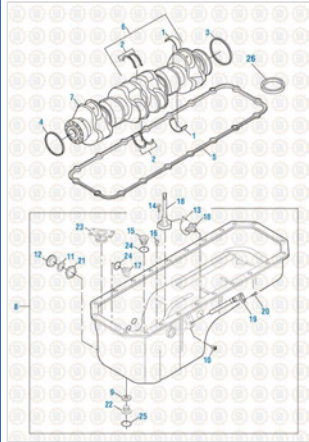
Any reference to OEM names or OEM product identification numbers/descriptions/model numbers is for identification only and does not indicate that it is an OEM part. PAI is not affiliated with Mack Truck, Inc.®, Volvo®, Fuller®, Cummins®, Eaton®, Rockwell®, Caterpillar®, Freightliner®, Hendrickson®, Kenworth®, Detroit Diesel®, International®, Peterbilt®, or Dana®. All Manufacturer's names, numbers, symbols and descriptions are used for reference only. It is not implied that any part listed is the product of these manufacturers.

SEAL

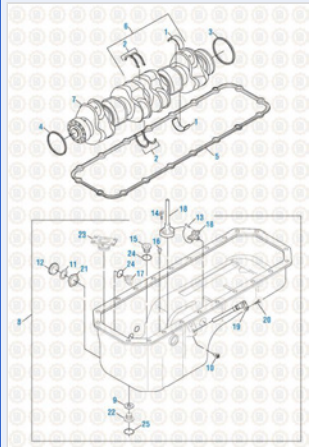
836022



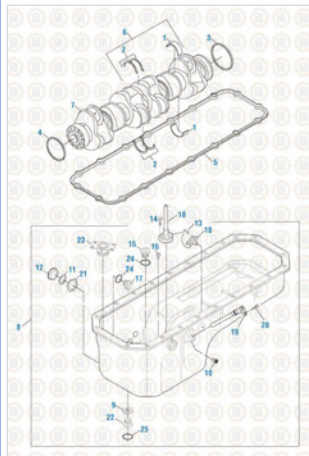
Drive Train 2016
Seals - Miscellaneous



PAI Mack & Volvo Applications 2018
Crankshaft and Oil Pan - MP7 / MP8 Series



Volvo / Renault Engine Components 2015
Crankshaft - Renault DXi 11 / Renault DXi 13



Volvo / Renault Engine Components 2015
Crankshaft - Volvo D11 / D13

Copyright © 2020 PAI Industries, Inc.
All rights reserved. All content is property of PAI Industries, Inc. and may not be reproduced or redistributed in any form.

Any reference to OEM names or OEM product identification numbers/descriptions/model numbers is for identification only and does not indicate that it is an OEM part. PAI is not affiliated with Mack Truck, Inc.®, Volvo®, Fuller®, Cummins®, Eaton®, Rockwell®, Caterpillar®, Freightliner®, Hendrickson®, Kenworth®, Detroit Diesel®, International®, Peterbilt®, or Dana®. All Manufacturer's names, numbers, symbols and descriptions are used for reference only. It is not implied that any part listed is the product of these manufacturers.

SEAL

836022

Cross Reference:

Manufacturer	OEM Number
MACK	08148259
MACK	8148259
RENAULT	7408148259
VOLVO	8148259
MACK	22086413

Copyright © 2020 PAI Industries, Inc.

All rights reserved. All content is property of PAI Industries, Inc, and may not be reproduced or redistributed in any form.

Any reference to OEM names or OEM product identification numbers/descriptions/model numbers is for identification only and does not indicate that it is an OEM part. PAI is not affiliated with Mack Truck, Inc.®, Volvo®, Fuller®, Cummins®, Eaton®, Rockwell®, Caterpillar®, Freightliner®, Hendrickson®, Kenworth®, Detroit Diesel®, International®, Peterbilt®, or Dana®. All Manufacturer's names, numbers, symbols and descriptions are used for reference only. It is not implied that any part listed is the product of these manufacturers.