

OIL PAN GASKET

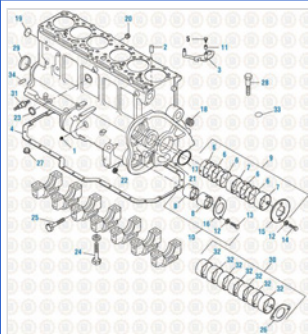
EGK-8439



Description:	OIL PAN GASKET
SKU:	EGK-8439
OEM:	579GB422
Product Group:	ENGINE PARTS
Product Class:	ENGINE GASKETS, O-RINGS & GASKET SETS
UPC Code:	193807259457
Sell Pack:	1 EA
Weight:	1.10 LBS
Warranty:	2 Years

Details:

Oil Pan Gasket
Rubber

E-Catalog Pages:**Catalog Page****Description**

PAI Mack & Volvo Applications 2018
Cylinder Block Components
E7, E-Tech (EUP) & ASET - E7 Series

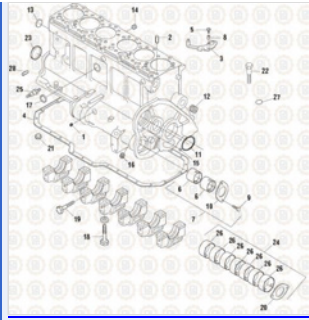
Copyright © 2020 PAI Industries, Inc.

All rights reserved. All content is property of PAI Industries, Inc. and may not be reproduced or redistributed in any form.

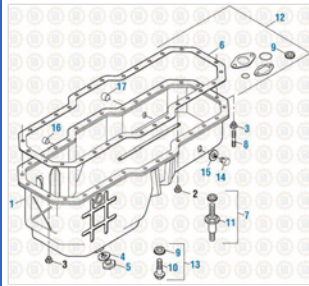
Any reference to OEM names or OEM product identification numbers/descriptions/model numbers is for identification only and does not indicate that it is an OEM part. PAI is not affiliated with Mack Truck, Inc.®, Volvo®, Fuller®, Cummins®, Eaton®, Rockwell®, Caterpillar®, Freightliner®, Hendrickson®, Kenworth®, Detroit Diesel®, International®, Peterbilt®, or Dana®. All Manufacturer's names, numbers, symbols and descriptions are used for reference only. It is not implied that any part listed is the product of these manufacturers.

OIL PAN GASKET

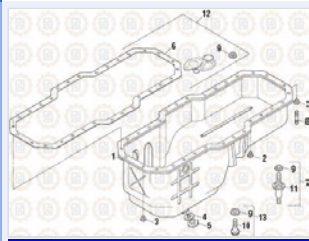
EGK-8439



Volvo / Renault Engine Components 2015
Cylinder Block Components - Renault / E-Tech

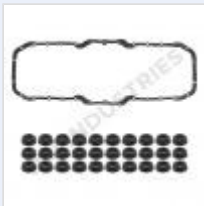


PAI Mack & Volvo Applications 2018
Oil Pan
E7, E-Tech, ASET - E7 Series



Volvo / Renault Engine Components 2015
Oil Pan - Renault / E-Tech

Component Of:

SKU	Image	Description
EGS-3841A		LOWER GASKET SET
EPK-8437		OIL PAN GASKET KIT
831018		SLOWER GASKET SET
831061		LOWER GASKET SET

Cross Reference:

Manufacturer	OEM Number
MACK	4103-5010284492
MACK	579GB422
MACK	20706142
RENAULT	5010284492