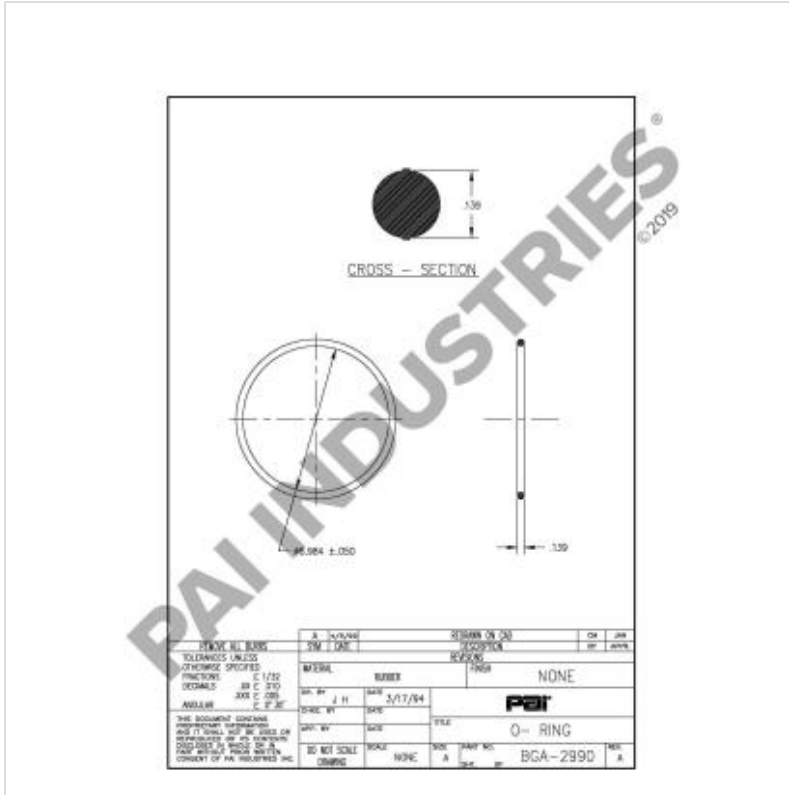


# O-RING

# BGA-2990



**Description:** O-RING  
**SKU:** BGA-2990  
**OEM:** 56AX423  
**Product Group:** DIFFERENTIAL  
**Product Class:** BEARING, SEAL & GASKET KITS  
**UPC Code:** 193807200718  
**Sell Pack:** 10 EA  
 (Available to buy in increments of 10)  
**Weight:** 0.21 LBS  
**Warranty:** 2 Years

**Details:**

O-Ring  
 0.139in C/S x 8.984in I.D.  
 3.53mm C/S x 228.19mm I.D.  
 Buna N  
 70 Durometer  
 Series # -270

**E-Catalog Pages:**

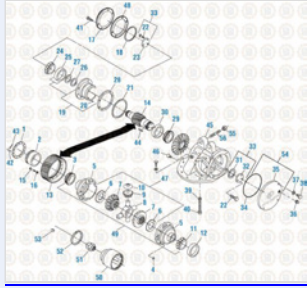
Catalog Page	Description
	<b>Drive Train 2016</b> CRDPC 92/112

**Copyright © 2020 PAI Industries, Inc.**  
 All rights reserved. All content is property of PAI Industries, Inc. and may not be reproduced or redistributed in any form.

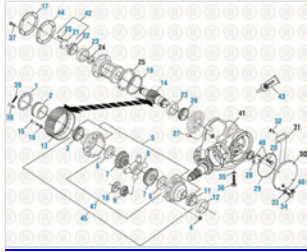
Any reference to OEM names or OEM product identification numbers/descriptions/model numbers is for identification only and does not indicate that it is an OEM part. PAI is not affiliated with Mack Truck, Inc.®, Volvo®, Fuller®, Cummins®, Eaton®, Rockwell®, Caterpillar®, Freightliner®, Hendrickson®, Kenworth®, Detroit Diesel®, International®, Peterbilt®, or Dana®. All Manufacturer's names, numbers, symbols and descriptions are used for reference only. It is not implied that any part listed is the product of these manufacturers.

## O-RING

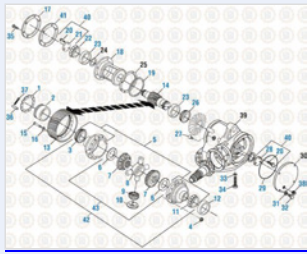
## BGA-2990



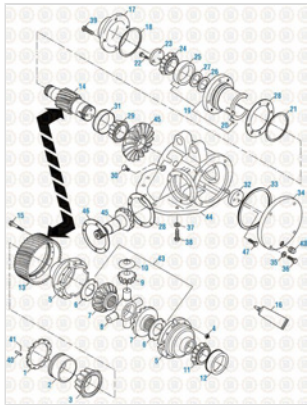
**Drive Train 2016**  
CRD 93/113



**Drive Train 2016**  
CRDP 200/202



**Drive Train 2016**  
CRD 201/203



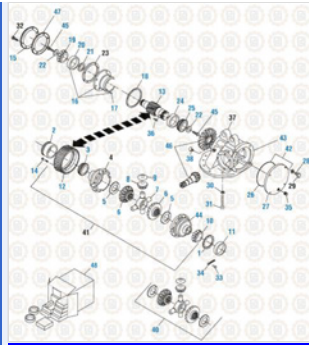
**Drive Train 2016**  
CRD 93A

Copyright © 2020 PAI Industries, Inc.  
All rights reserved. All content is property of PAI Industries, Inc. and may not be reproduced or redistributed in any form.

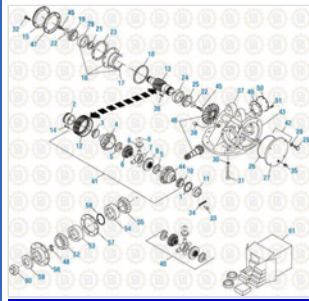
Any reference to OEM names or OEM product identification numbers/descriptions/model numbers is for identification only and does not indicate that it is an OEM part. PAI is not affiliated with Mack Truck, Inc.®, Volvo®, Fuller®, Cummins®, Eaton®, Rockwell®, Caterpillar®, Freightliner®, Hendrickson®, Kenworth®, Detroit Diesel®, International®, Peterbilt®, or Dana®. All Manufacturer's names, numbers, symbols and descriptions are used for reference only. It is not implied that any part listed is the product of these manufacturers.

# O-RING

# BGA-2990



**Drive Train 2016**  
CRD 150



**PAI Mack & Volvo Applications 2018**  
Components - CRD 151

**O-Rings**  
AS568A

**Component Of:**

SKU	Image	Description
<a href="#">EM71030</a>	-	SEAL AND BEARING KIT
<a href="#">BBK-7103</a>		BEARING AND SEAL KIT
<a href="#">BBK-7119</a>	-	BEARING AND SEAL KIT
<a href="#">BBK-7121-200</a>	-	O-RING KIT
<a href="#">BBK-7125-200</a>	-	O-RING KIT
<a href="#">BBK-7139</a>	-	BEARING AND SEAL KIT
<a href="#">BBK-7141-200</a>	-	O-RING KIT
<a href="#">806723</a>	-	COVER KIT

Copyright © 2020 PAI Industries, Inc.  
All rights reserved. All content is property of PAI Industries, Inc. and may not be reproduced or redistributed in any form.

Any reference to OEM names or OEM product identification numbers/descriptions/model numbers is for identification only and does not indicate that it is an OEM part. PAI is not affiliated with Mack Truck, Inc.®, Volvo®, Fuller®, Cummins®, Eaton®, Rockwell®, Caterpillar®, Freightliner®, Hendrickson®, Kenworth®, Detroit Diesel®, International®, Peterbilt®, or Dana®. All Manufacturer's names, numbers, symbols and descriptions are used for reference only. It is not implied that any part listed is the product of these manufacturers.

# O-RING

# BGA-2990

[806865](#)



BEARING AND SEAL KIT

[806866](#)



BEARING KIT

### Cross Reference:

Manufacturer	OEM Number
MACK	56AX423
CATERPILLAR	8F6230
MACK	25091747

Copyright © 2020 PAI Industries, Inc.  
 All rights reserved. All content is property of PAI Industries, Inc, and may not be reproduced or redistributed in any form.

Any reference to OEM names or OEM product identification numbers/descriptions/model numbers is for identification only and does not indicate that it is an OEM part. PAI is not affiliated with Mack Truck, Inc.®, Volvo®, Fuller®, Cummins®, Eaton®, Rockwell®, Caterpillar®, Freightliner®, Hendrickson®, Kenworth®, Detroit Diesel®, International®, Peterbilt®, or Dana®. All Manufacturer's names, numbers, symbols and descriptions are used for reference only. It is not implied that any part listed is the product of these manufacturers.