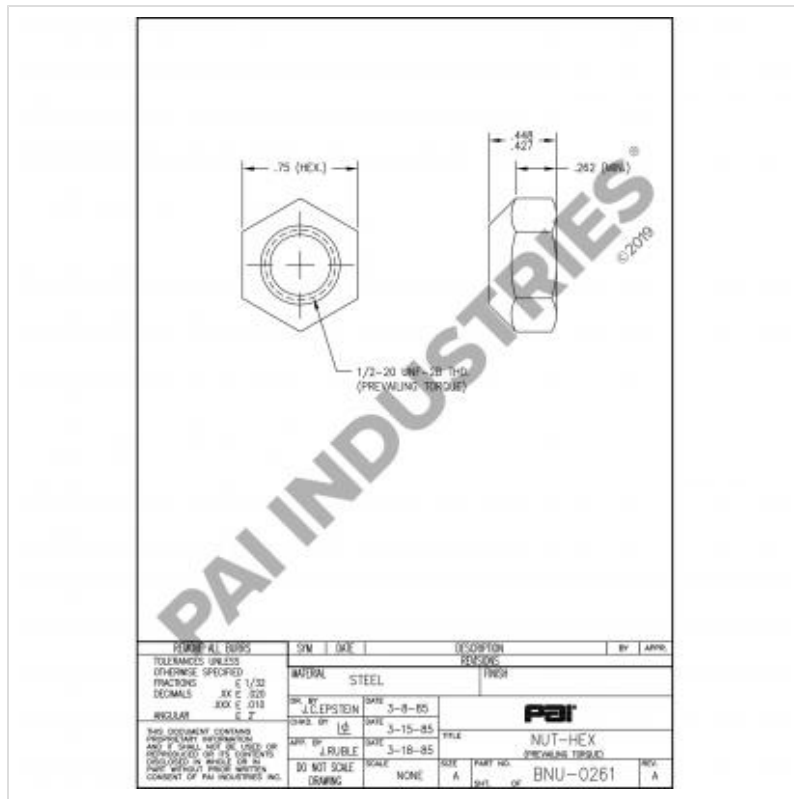


NUT

BNU-0261



Description: NUT
SKU: BNU-0261
OEM: 21AX814
Product Group: CAB
Product Class: GENERAL BODY HARDWARE
UPC Code: 193807168230
Sell Pack: 20 EA
 (Available to buy in increments of 20)
Weight: 0.66 LBS
Warranty: 2 Years

Details:
 Nut, 1/2-20 Thread x 3/4 in. Flats x 7/16 in. Height, Locking / Prevailing

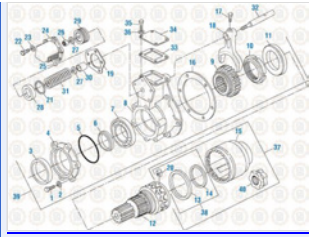
E-Catalog Pages:	
Catalog Page	Description
	<p>Drive Train 2016 Clutch Components - Clutch</p>

Copyright © 2020 PAI Industries, Inc.
 All rights reserved. All content is property of PAI Industries, Inc. and may not be reproduced or redistributed in any form.

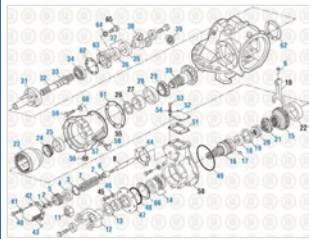
Any reference to OEM names or OEM product identification numbers/descriptions/model numbers is for identification only and does not indicate that it is an OEM part. PAI is not affiliated with Mack Truck, Inc.®, Volvo®, Fuller®, Cummins®, Eaton®, Rockwell®, Caterpillar®, Freightliner®, Hendrickson®, Kenworth®, Detroit Diesel®, International®, Peterbilt®, or Dana®. All Manufacturer's names, numbers, symbols and descriptions are used for reference only. It is not implied that any part listed is the product of these manufacturers.

NUT

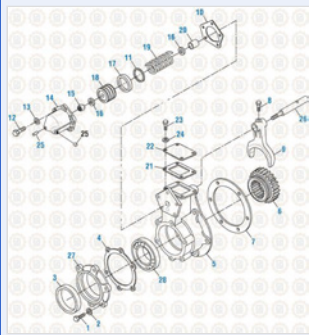
BNU-0261



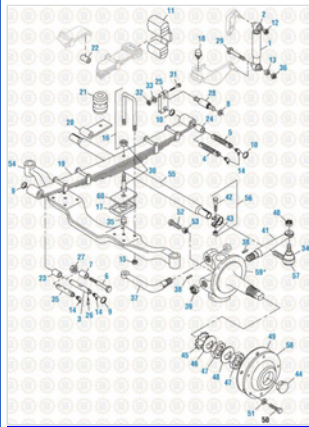
Drive Train 2016
CRDPC 92/112 With Lockout



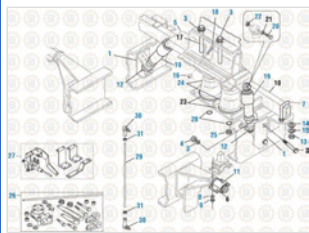
Drive Train 2016
CRDP 95 - Differential



Drive Train 2016
CRD 150 w/ Lockout



Chassis Suspension
Front Suspension Components



Hardware
Nuts - Progressive Size Index (Inch)

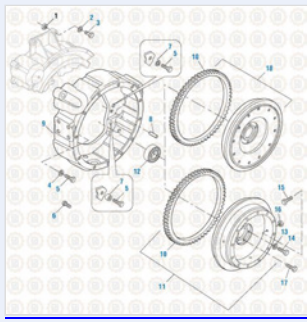
Cab Catalog
R / RB / RD Models

Copyright © 2020 PAI Industries, Inc.
All rights reserved. All content is property of PAI Industries, Inc, and may not be reproduced or redistributed in any form.

Any reference to OEM names or OEM product identification numbers/descriptions/model numbers is for identification only and does not indicate that it is an OEM part. PAI is not affiliated with Mack Truck, Inc.®, Volvo®, Fuller®, Cummins®, Eaton®, Rockwell®, Caterpillar®, Freightliner®, Hendrickson®, Kenworth®, Detroit Diesel®, International®, Peterbilt®, or Dana®. All Manufacturer's names, numbers, symbols and descriptions are used for reference only. It is not implied that any part listed is the product of these manufacturers.

NUT

BNU-0261



PAI Mack & Volvo Applications 2018
Flywheel Assembly - E6 Series

Component Of:

SKU	Image	Description
EF39840		O-RING KIT
ER14330	.	RING GEAR BOLT KIT
BLH-2162-100	.	LOCKOUT ASSEMBLY
EFW-3995		FLYWHEEL KIT

Cross Reference:

Manufacturer	OEM Number
HENDRICKSON TRUCK COMMERCIAL VEHICLE SYSTEMS	30978-000
MACK	4000-30978000
MACK	21AX784
MACK	21AX475
MACK	21AX667
MACK	21AX814
MACK	21AX735
ROCKWELL (EXCEL PRODUCTS)	NL-18-1
MACK	8235-NL181
MACK	25096069
MACK	25109335

Copyright © 2020 PAI Industries, Inc.
All rights reserved. All content is property of PAI Industries, Inc. and may not be reproduced or redistributed in any form.

Any reference to OEM names or OEM product identification numbers/descriptions/model numbers is for identification only and does not indicate that it is an OEM part. PAI is not affiliated with Mack Truck, Inc.®, Volvo®, Fuller®, Cummins®, Eaton®, Rockwell®, Caterpillar®, Freightliner®, Hendrickson®, Kenworth®, Detroit Diesel®, International®, Peterbilt®, or Dana®. All Manufacturer's names, numbers, symbols and descriptions are used for reference only. It is not implied that any part listed is the product of these manufacturers.

NUT

BNU-0261

MACK	21AX814X
MACK	20704744

Copyright © 2020 PAI Industries, Inc.

All rights reserved. All content is property of PAI Industries, Inc. and may not be reproduced or redistributed in any form.

Any reference to OEM names or OEM product identification numbers/descriptions/model numbers is for identification only and does not indicate that it is an OEM part. PAI is not affiliated with Mack Truck, Inc.®, Volvo®, Fuller®, Cummins®, Eaton®, Rockwell®, Caterpillar®, Freightliner®, Hendrickson®, Kenworth®, Detroit Diesel®, International®, Peterbilt®, or Dana®. All Manufacturer's names, numbers, symbols and descriptions are used for reference only. It is not implied that any part listed is the product of these manufacturers.