

CAPSCREW

BSC-7980



Description:	CAPSCREW
SKU:	BSC-7980
OEM:	72KH23
Product Group:	DIFFERENTIAL
Product Class:	INTERNAL GEARS AND PARTS
UPC Code:	193807256425
Sell Pack:	12 EA (Available to buy in increments of 12)
Weight:	3.45 LBS
Package Dimensions (LxWxH):	5 x 2 x 5 inches
Warranty:	2 Years



Details:

Capscrew
 5/8in-18 x 2-5/8in
 Use with BCS-7020 and BCS-7025 Casing
 Use with BNU-7001 Nuts
 12 PT
 Flanged Hex Hed

E-Catalog Pages:

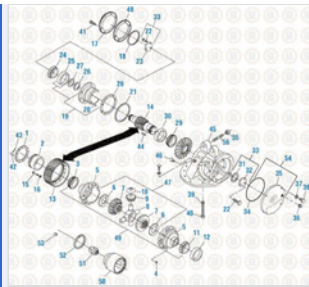
Catalog Page	Description
	<p>Drive Train 2016 CRDPC 92/112</p>

Copyright © 2020 PAI Industries, Inc.
 All rights reserved. All content is property of PAI Industries, Inc, and may not be reproduced or redistributed in any form.

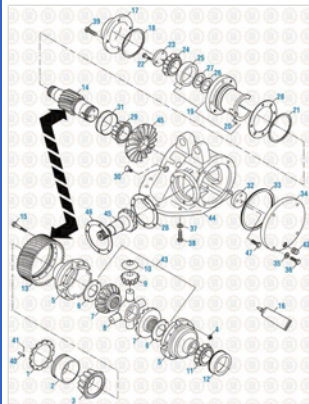
Any reference to OEM names or OEM product identification numbers/descriptions/model numbers is for identification only and does not indicate that it is an OEM part. PAI is not affiliated with Mack Truck, Inc.®, Volvo®, Fuller®, Cummins®, Eaton®, Rockwell®, Caterpillar®, Freightliner®, Hendrickson®, Kenworth®, Detroit Diesel®, International®, Peterbilt®, or Dana®. All Manufacturer's names, numbers, symbols and descriptions are used for reference only. It is not implied that any part listed is the product of these manufacturers.

CAPSCREW

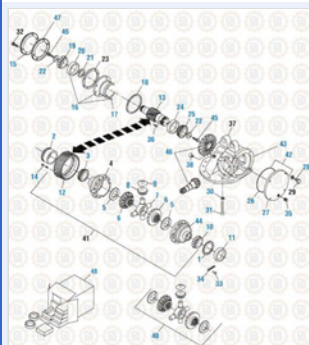
BSC-7980



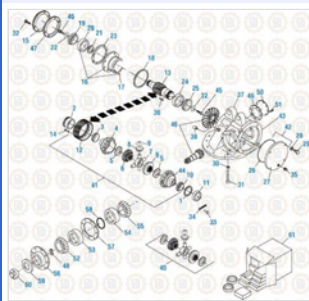
Drive Train 2016
CRD 93/113



Drive Train 2016
CRD 93A



Drive Train 2016
CRD 150



PAI Mack & Volvo Applications 2018
Components - CRD 151

Hardware
Progressive Size Index (Inch)

Cross Reference:

Manufacturer

OEM Number

Copyright © 2020 PAI Industries, Inc.
All rights reserved. All content is property of PAI Industries, Inc, and may not be reproduced or redistributed in any form.

Any reference to OEM names or OEM product identification numbers/descriptions/model numbers is for identification only and does not indicate that it is an OEM part. PAI is not affiliated with Mack Truck, Inc.®, Volvo®, Fuller®, Cummins®, Eaton®, Rockwell®, Caterpillar®, Freightliner®, Hendrickson®, Kenworth®, Detroit Diesel®, International®, Peterbilt®, or Dana®. All Manufacturer's names, numbers, symbols and descriptions are used for reference only. It is not implied that any part listed is the product of these manufacturers.

CAPSCREW

BSC-7980

MACK	25097077
MACK	3AX1813X
MACK	3AX1813
MACK	3AX1778
MACK	3AX1764
MACK	72KH133
MACK	72KH23
MACK	3AX1764X

Copyright © 2020 PAI Industries, Inc.

All rights reserved. All content is property of PAI Industries, Inc, and may not be reproduced or redistributed in any form.

Any reference to OEM names or OEM product identification numbers/descriptions/model numbers is for identification only and does not indicate that it is an OEM part. PAI is not affiliated with Mack Truck, Inc.®, Volvo®, Fuller®, Cummins®, Eaton®, Rockwell®, Caterpillar®, Freightliner®, Hendrickson®, Kenworth®, Detroit Diesel®, International®, Peterbilt®, or Dana®. All Manufacturer's names, numbers, symbols and descriptions are used for reference only. It is not implied that any part listed is the product of these manufacturers.