

SPACER

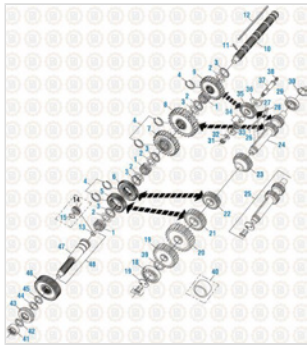
EF10830-249

Description:	SPACER
SKU:	EF10830-249
OEM:	14711
Product Group:	TRANSMISSION
Product Class:	GEARS, SHAFTS, CLUTCHES
UPC Code:	193807021610
Sell Pack:	1 EA
Weight:	0.15 LBS
Warranty:	1 Year

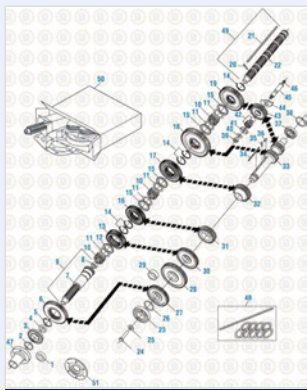
Details:
Spacer .248in-.250in Thick

E-Catalog Pages:

Catalog Page	Description
--------------	-------------



Web Electronic
Main Case Components - Fuller Transmission



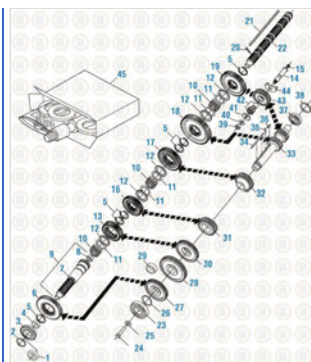
Web Electronic
Main Case Components - Fuller Transmission

Copyright © 2020 PAI Industries, Inc.
All rights reserved. All content is property of PAI Industries, Inc, and may not be reproduced or redistributed in any form.

Any reference to OEM names or OEM product identification numbers/descriptions/model numbers is for identification only and does not indicate that it is an OEM part. PAI is not affiliated with Mack Truck, Inc.®, Volvo®, Fuller®, Cummins®, Eaton®, Rockwell®, Caterpillar®, Freightliner®, Hendrickson®, Kenworth®, Detroit Diesel®, International®, Peterbilt®, or Dana®. All Manufacturer's names, numbers, symbols and descriptions are used for reference only. It is not implied that any part listed is the product of these manufacturers.

SPACER

EF10830-249



Drive Train 2016
Main Case Components - RT/RT0/RT00/RTLO 14613 and 14813

Drive Train 2016
Main Case Components - RTLO 16618



Web Electronic
Main Case Components - Fuller Transmission

Component Of:		
SKU	Image	Description
EF26730		SMALL PARTS KIT
EF61520		SMALL PARTS KIT

Cross Reference:	
Manufacturer	OEM Number
FULLER	14711
FULLER	18701
NAVISTAR	310673C1
NAVISTAR	499737C1

Copyright © 2020 PAI Industries, Inc.
All rights reserved. All content is property of PAI Industries, Inc. and may not be reproduced or redistributed in any form.

Any reference to OEM names or OEM product identification numbers/descriptions/model numbers is for identification only and does not indicate that it is an OEM part. PAI is not affiliated with Mack Truck, Inc.®, Volvo®, Fuller®, Cummins®, Eaton®, Rockwell®, Caterpillar®, Freightliner®, Hendrickson®, Kenworth®, Detroit Diesel®, International®, Peterbilt®, or Dana®. All Manufacturer's names, numbers, symbols and descriptions are used for reference only. It is not implied that any part listed is the product of these manufacturers.