

# BUSHING

# EF34050



**Description:** BUSHING  
**SKU:** EF34050  
**OEM:** 16566  
**Product Group:** TRANSMISSION  
**Product Class:** GEARS, SHAFTS, CLUTCHES  
**UPC Code:** 193807266844  
**Sell Pack:** 5 EA  
 (Available to buy in increments of 5)  
**Weight:** 0.52 LBS  
**Warranty:** 1 Year



**Details:**

Bushing  
 Fuller RTLO 16618/ RT / RTO 12513/ RT/RTO 11609/ RT/RTO/RTOO/RTLO 14613 and 14813 Transmission application

**E-Catalog Pages:**

Catalog Page	Description
	<p><b>Web Electronic</b>                      Main Case Components - Fuller Transmission</p>

Copyright © 2020 PAI Industries, Inc.  
 All rights reserved. All content is property of PAI Industries, Inc, and may not be reproduced or redistributed in any form.

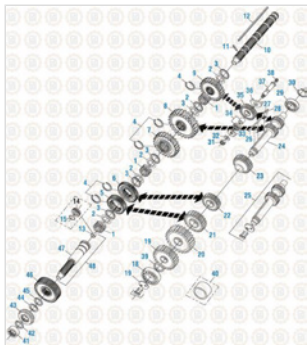
Any reference to OEM names or OEM product identification numbers/descriptions/model numbers is for identification only and does not indicate that it is an OEM part. PAI is not affiliated with Mack Truck, Inc.®, Volvo®, Fuller®, Cummins®, Eaton®, Rockwell®, Caterpillar®, Freightliner®, Hendrickson®, Kenworth®, Detroit Diesel®, International®, Peterbilt®, or Dana®. All Manufacturer's names, numbers, symbols and descriptions are used for reference only. It is not implied that any part listed is the product of these manufacturers.

# BUSHING

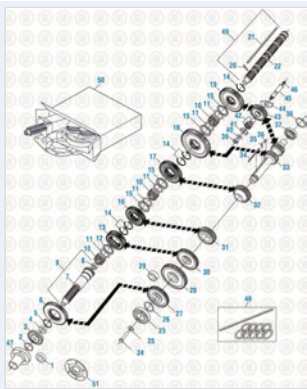
# EF34050



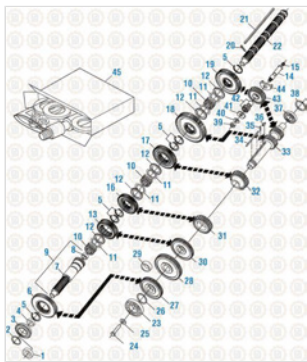
**Web Electronic**  
Main Case Components - Fuller Transmission



**Web Electronic**  
Main Case Components - Fuller Transmission



**Web Electronic**  
Main Case Components - Fuller Transmission



**Drive Train 2016**  
Main Case Components - RT/RTO/RTOO/RTLO 14613 and 14813

**Drive Train 2016**  
Main Case Components - RTLO 16618

Copyright © 2020 PAI Industries, Inc.  
All rights reserved. All content is property of PAI Industries, Inc. and may not be reproduced or redistributed in any form.

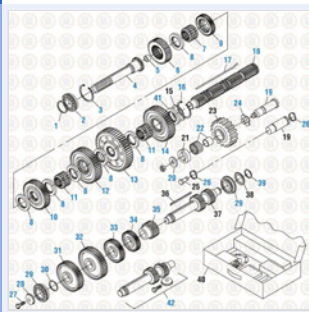
Any reference to OEM names or OEM product identification numbers/descriptions/model numbers is for identification only and does not indicate that it is an OEM part. PAI is not affiliated with Mack Truck, Inc.®, Volvo®, Fuller®, Cummins®, Eaton®, Rockwell®, Caterpillar®, Freightliner®, Hendrickson®, Kenworth®, Detroit Diesel®, International®, Peterbilt®, or Dana®. All Manufacturer's names, numbers, symbols and descriptions are used for reference only. It is not implied that any part listed is the product of these manufacturers.

# BUSHING

# EF34050




**Web Electronic**  
Main Case Components - Fuller Transmission



**Drive Train 2016**  
Main Case Components - FR/FRO 14210, 15210, 16210, 18210

**Component Of:**




SKU	Image	Description
<a href="#">EF64340</a>	.	MAINSHAFT KIT
<a href="#">EF65350</a>	.	BEARING AND SEAL KIT
<a href="#">EF65380</a>	.	BEARING AND SEAL KIT
<a href="#">EF65390</a>	.	BEARING AND SEAL KIT
<a href="#">EF65410</a>	.	BEARING AND SEAL KIT
<a href="#">EF65430</a>	.	BEARING AND SEAL KIT
<a href="#">EF65440</a>	.	BEARING AND SEAL KIT
<a href="#">EF65540</a>	.	BEARING AND SEAL KIT
<a href="#">EF65560</a>	.	BEARING AND SEAL KIT
<a href="#">EF65660</a>	.	BEARING AND SEAL KIT
<a href="#">EF65670</a>	.	BEARING AND SEAL KIT
<a href="#">EF65760</a>	.	BEARING AND SEAL KIT
<a href="#">EF65790</a>	.	BEARING AND SEAL KIT
<a href="#">EF66040</a>	.	BEARING AND SEAL KIT
<a href="#">EF66090</a>		BEARING AND SEAL KIT

Copyright © 2020 PAI Industries, Inc.  
All rights reserved. All content is property of PAI Industries, Inc. and may not be reproduced or redistributed in any form.

Any reference to OEM names or OEM product identification numbers/descriptions/model numbers is for identification only and does not indicate that it is an OEM part. PAI is not affiliated with Mack Truck, Inc.®, Volvo®, Fuller®, Cummins®, Eaton®, Rockwell®, Caterpillar®, Freightliner®, Hendrickson®, Kenworth®, Detroit Diesel®, International®, Peterbilt®, or Dana®. All Manufacturer's names, numbers, symbols and descriptions are used for reference only. It is not implied that any part listed is the product of these manufacturers.

# BUSHING

# EF34050

<a href="#">EF66160</a>		BEARING AND SEAL KIT
<a href="#">EF66180</a>		BEARING AND SEAL KIT
<a href="#">EF66250</a>		BEARING AND SEAL KIT
<a href="#">EF66980</a>		BEARING AND SEAL KIT
<a href="#">EF67170</a>		PINION ASSEMBLY
<a href="#">EF67490</a>		INPUT SHAFT
<a href="#">EF68640</a>		BEARING AND SEAL KIT
<a href="#">EF89820</a>		BEARING AND SEAL KIT
<a href="#">EF89830</a>		BEARING AND SEAL KIT
<a href="#">EF89840</a>		BEARING AND SEAL KIT
<a href="#">EF89850</a>		BEARING AND SEAL KIT
<a href="#">EF89860</a>		BEARING AND SEAL KIT
<a href="#">EF89870</a>		BEARING AND SEAL KIT
<a href="#">EF89880</a>		BEARING AND SEAL KIT
<a href="#">EF89890</a>		BEARING AND SEAL KIT
<a href="#">EF89920</a>		BEARING AND SEAL KIT
<a href="#">EF89930</a>		BEARING AND SEAL KIT
<a href="#">EF89940</a>		BEARING AND SEAL KIT
<a href="#">EF89950</a>		BEARING AND SEAL KIT
<a href="#">900090</a>		INPUT SHAFT ASSEMBLY
<a href="#">900452</a>		BEARING AND SEAL KIT
<a href="#">900453</a>		BEARING AND SEAL KIT
<a href="#">900457</a>		BEARING AND SEAL KIT
<a href="#">900458</a>		BEARING AND SEAL KIT
<a href="#">900460</a>		BEARING AND SEAL KIT
<a href="#">900472</a>		BEARING AND SEAL KIT

Copyright © 2020 PAI Industries, Inc.

All rights reserved. All content is property of PAI Industries, Inc. and may not be reproduced or redistributed in any form.

Any reference to OEM names or OEM product identification numbers/descriptions/model numbers is for identification only and does not indicate that it is an OEM part. PAI is not affiliated with Mack Truck, Inc.®, Volvo®, Fuller®, Cummins®, Eaton®, Rockwell®, Caterpillar®, Freightliner®, Hendrickson®, Kenworth®, Detroit Diesel®, International®, Peterbilt®, or Dana®. All Manufacturer's names, numbers, symbols and descriptions are used for reference only. It is not implied that any part listed is the product of these manufacturers.

# BUSHING

# EF34050

[900661](#)

PINION ASSEMBLY

**Cross Reference:**

Manufacturer	OEM Number
FULLER	16566
MACK	3088-16566
NAVISTAR	422135C1

Copyright © 2020 PAI Industries, Inc.

All rights reserved. All content is property of PAI Industries, Inc, and may not be reproduced or redistributed in any form.

Any reference to OEM names or OEM product identification numbers/descriptions/model numbers is for identification only and does not indicate that it is an OEM part. PAI is not affiliated with Mack Truck, Inc.®, Volvo®, Fuller®, Cummins®, Eaton®, Rockwell®, Caterpillar®, Freightliner®, Hendrickson®, Kenworth®, Detroit Diesel®, International®, Peterbilt®, or Dana®. All Manufacturer's names, numbers, symbols and descriptions are used for reference only. It is not implied that any part listed is the product of these manufacturers.