

STUD

EST-0414



Description: STUD
SKU: EST-0414
OEM: 107AM5019
Product Group: ENGINE PARTS
Product Class: FAN DRIVES, PULLEYS, FANS & KITS
UPC Code: 193807170097
Sell Pack: 6 EA
 (Available to buy in increments of 6)
Weight: 0.17 LBS
Warranty: 2 Years



Details:

Fan Clutch Mounting Stud
 M8 x 1.25 x 40

E-Catalog Pages:

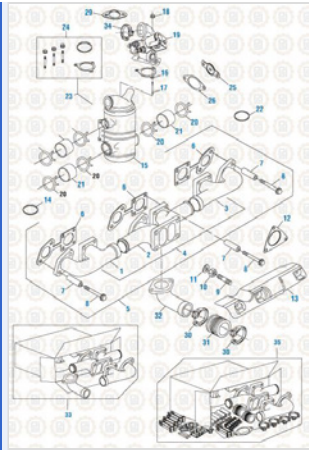
Catalog Page	Description
	<p>Hardware Studs - Progressive Size Index (Metric)</p>
	<p>Caterpillar Engine 2019 Fan Clutch Components - Miscellaneous</p>

Copyright © 2020 PAI Industries, Inc.
 All rights reserved. All content is property of PAI Industries, Inc, and may not be reproduced or redistributed in any form.

Any reference to OEM names or OEM product identification numbers/descriptions/model numbers is for identification only and does not indicate that it is an OEM part. PAI is not affiliated with Mack Truck, Inc.®, Volvo®, Fuller®, Cummins®, Eaton®, Rockwell®, Caterpillar®, Freightliner®, Hendrickson®, Kenworth®, Detroit Diesel®, International®, Peterbilt®, or Dana®. All Manufacturer's names, numbers, symbols and descriptions are used for reference only. It is not implied that any part listed is the product of these manufacturers.

STUD

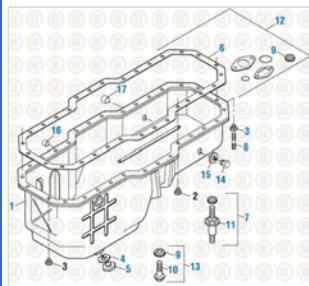
EST-0414



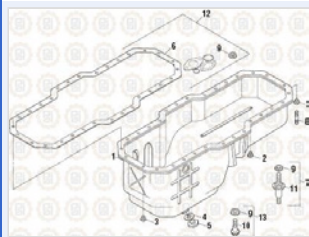
Detroit Diesel Engine 2019
Exhaust Manifold and EGR Cooler - Series 60



Cummins Engine 2017
Fan Clutch Components - Miscellaneous Components



PAI Mack & Volvo Applications 2018
Oil Pan
E7, E-Tech, ASET - E7 Series



Volvo / Renault Engine Components 2015
Oil Pan - Renault / E-Tech




Detroit Diesel Engine 2019
Miscellaneous Fan Clutch Components - Miscellaneous Components

Copyright © 2020 PAI Industries, Inc.
All rights reserved. All content is property of PAI Industries, Inc. and may not be reproduced or redistributed in any form.

Any reference to OEM names or OEM product identification numbers/descriptions/model numbers is for identification only and does not indicate that it is an OEM part. PAI is not affiliated with Mack Truck, Inc.®, Volvo®, Fuller®, Cummins®, Eaton®, Rockwell®, Caterpillar®, Freightliner®, Hendrickson®, Kenworth®, Detroit Diesel®, International®, Peterbilt®, or Dana®. All Manufacturer's names, numbers, symbols and descriptions are used for reference only. It is not implied that any part listed is the product of these manufacturers.

STUD

EST-0414

Component Of:		
SKU	Image	Description
641332		EGR GASKET KIT
681126	.	EXHAUST MANIFOLD KIT
681151	.	EXHAUST MANIFOLD KIT
801128-100	.	WATER PUMP ASSEMBLY

Cross Reference:	
Manufacturer	OEM Number
DETROIT DIESEL	23533707
MACK	4103-5200350581
MACK	107AM5022
MACK	107AM5019
RENAULT	5200350581
MACK	25105799

Copyright © 2020 PAI Industries, Inc.
 All rights reserved. All content is property of PAI Industries, Inc. and may not be reproduced or redistributed in any form.

Any reference to OEM names or OEM product identification numbers/descriptions/model numbers is for identification only and does not indicate that it is an OEM part. PAI is not affiliated with Mack Truck, Inc.®, Volvo®, Fuller®, Cummins®, Eaton®, Rockwell®, Caterpillar®, Freightliner®, Hendrickson®, Kenworth®, Detroit Diesel®, International®, Peterbilt®, or Dana®. All Manufacturer's names, numbers, symbols and descriptions are used for reference only. It is not implied that any part listed is the product of these manufacturers.