

OIL SENSOR

FSU-0558



Description: OIL SENSOR
SKU: FSU-0558
OEM: 64MT2114
Product Group: ENGINE PARTS
Product Class: ENGINE SENSORS, NON EGR-RELATED
UPC Code: 193807171780
Sell Pack: 1 EA
Weight: 0.09 LBS
Warranty: 2 Years



Details:

Oil Pressure Sensor
 Mack E7 / E-Tech / ASET Engine application
 Year: 2000 Mack CX 613 Model application

E-Catalog Pages:

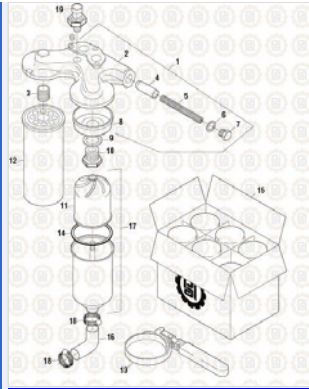
Catalog Page	Description
	<p>PAI Mack & Volvo Applications 2018 Oil Filter Mounting Components E7, E-Tech, ASET - E7 Series</p>

Copyright © 2020 PAI Industries, Inc.
 All rights reserved. All content is property of PAI Industries, Inc, and may not be reproduced or redistributed in any form.

Any reference to OEM names or OEM product identification numbers/descriptions/model numbers is for identification only and does not indicate that it is an OEM part. PAI is not affiliated with Mack Truck, Inc.®, Volvo®, Fuller®, Cummins®, Eaton®, Rockwell®, Caterpillar®, Freightliner®, Hendrickson®, Kenworth®, Detroit Diesel®, International®, Peterbilt®, or Dana®. All Manufacturer's names, numbers, symbols and descriptions are used for reference only. It is not implied that any part listed is the product of these manufacturers.

OIL SENSOR

FSU-0558



Volvo / Renault Engine Components 2015
Oil Filter Mounting Components - Renault / E-Tech



PAI Mack & Volvo Applications 2018
Pressure Sensors - Miscellaneous



Sensor Catalog 2019
Pressure Sensors - Sensor Catalog

Cross Reference:

Manufacturer	OEM Number
MACK	20706315
MACK	64MT286
MACK	64MT2114

Copyright © 2020 PAI Industries, Inc.
All rights reserved. All content is property of PAI Industries, Inc, and may not be reproduced or redistributed in any form.

Any reference to OEM names or OEM product identification numbers/descriptions/model numbers is for identification only and does not indicate that it is an OEM part. PAI is not affiliated with Mack Truck, Inc.®, Volvo®, Fuller®, Cummins®, Eaton®, Rockwell®, Caterpillar®, Freightliner®, Hendrickson®, Kenworth®, Detroit Diesel®, International®, Peterbilt®, or Dana®. All Manufacturer's names, numbers, symbols and descriptions are used for reference only. It is not implied that any part listed is the product of these manufacturers.