

# WASHER

# GWA-5972



**Description:** WASHER  
**SKU:** GWA-5972  
**OEM:** 223KD262  
**Product Group:** TRANSMISSION  
**Product Class:** GEARS, SHAFTS, CLUTCHES  
**UPC Code:** 193807236625  
**Sell Pack:** 3 EA  
 (Available to buy in increments of 3)  
**Weight:** 0.12 LBS  
**Warranty:** 2 Years



**Details:**

Thrust Washer, 2in wide  
 Three required for most applications  
 Mack T2060, T2060A, T2070 / A / B / C / D, T2080B, T2110B / D, T2130, T2180, T309L, T310 Application

**E-Catalog Pages:**

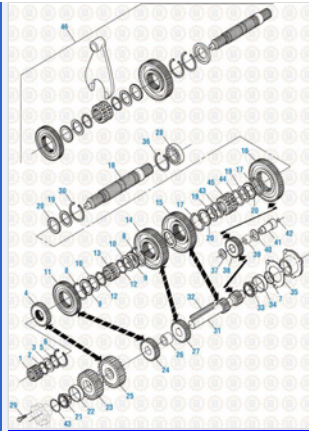
Catalog Page	Description
	<p><b>Drive Train 2016</b>                  Main Case Components - T2080B</p>

Copyright © 2020 PAI Industries, Inc.  
 All rights reserved. All content is property of PAI Industries, Inc, and may not be reproduced or redistributed in any form.

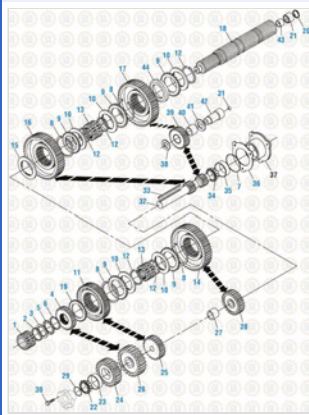
Any reference to OEM names or OEM product identification numbers/descriptions/model numbers is for identification only and does not indicate that it is an OEM part. PAI is not affiliated with Mack Truck, Inc.®, Volvo®, Fuller®, Cummins®, Eaton®, Rockwell®, Caterpillar®, Freightliner®, Hendrickson®, Kenworth®, Detroit Diesel®, International®, Peterbilt®, or Dana®. All Manufacturer's names, numbers, symbols and descriptions are used for reference only. It is not implied that any part listed is the product of these manufacturers.

## WASHER

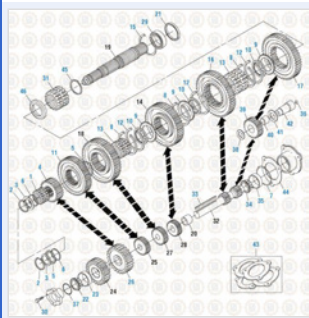
## GWA-5972



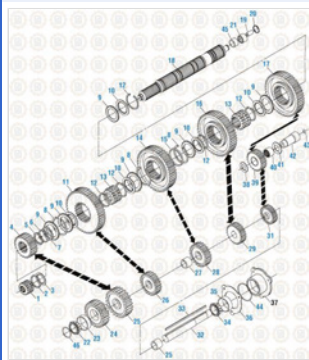
**Drive Train 2016**  
Main Case Components - Original Mainshaft Design - T2050



**Drive Train 2016**  
Main Case Components - T2060 & T2070



**Drive Train 2016**  
Main Case Components - T2060A



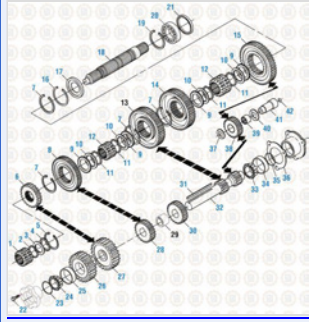
**Drive Train 2016**  
Main Case Components - T2130 and T2180

Copyright © 2020 PAI Industries, Inc.  
All rights reserved. All content is property of PAI Industries, Inc. and may not be reproduced or redistributed in any form.

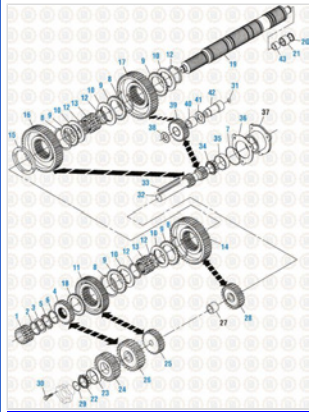
Any reference to OEM names or OEM product identification numbers/descriptions/model numbers is for identification only and does not indicate that it is an OEM part. PAI is not affiliated with Mack Truck, Inc.®, Volvo®, Fuller®, Cummins®, Eaton®, Rockwell®, Caterpillar®, Freightliner®, Hendrickson®, Kenworth®, Detroit Diesel®, International®, Peterbilt®, or Dana®. All Manufacturer's names, numbers, symbols and descriptions are used for reference only. It is not implied that any part listed is the product of these manufacturers.

## WASHER

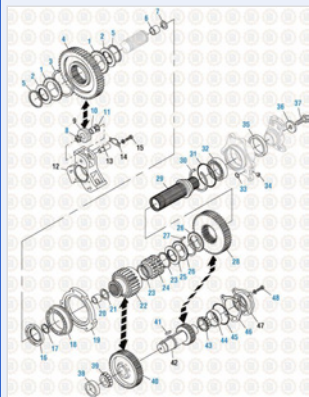
## GWA-5972

**Drive Train 2016**

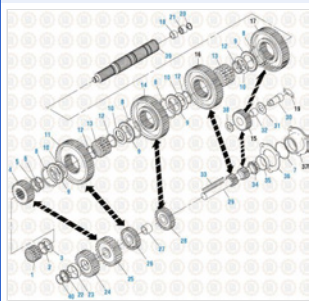
Main Case Components - Current Mainshaft Design - T2050

**Drive Train 2016**

Main Case Components - T2070 A &amp; C

**Drive Train 2016**

Rear Case Components - T2070 B &amp; D

**Drive Train 2016**

Main Case Components - T309L and T310

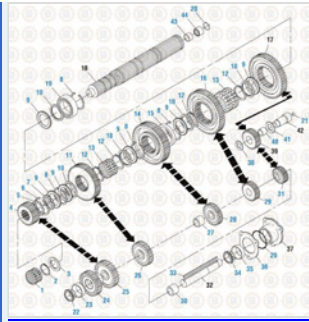
Copyright © 2020 PAI Industries, Inc.

All rights reserved. All content is property of PAI Industries, Inc. and may not be reproduced or redistributed in any form.

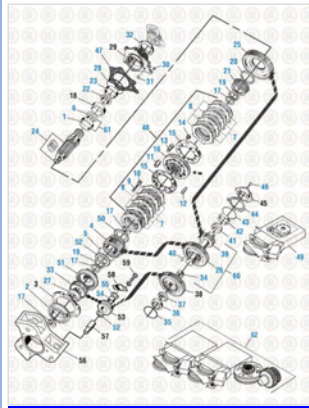
Any reference to OEM names or OEM product identification numbers/descriptions/model numbers is for identification only and does not indicate that it is an OEM part. PAI is not affiliated with Mack Truck, Inc.®, Volvo®, Fuller®, Cummins®, Eaton®, Rockwell®, Caterpillar®, Freightliner®, Hendrickson®, Kenworth®, Detroit Diesel®, International®, Peterbilt®, or Dana®. All Manufacturer's names, numbers, symbols and descriptions are used for reference only. It is not implied that any part listed is the product of these manufacturers.

# WASHER

# GWA-5972



**Drive Train 2016**  
Main Case Components - T2110 B and D



**Drive Train 2016**  
Rear Case Components - T2110 B and D

**Component Of:**

SKU	Image	Description
<a href="#">GBK-5942</a>		BEARING AND SEAL KIT
<a href="#">GBK-6153</a>	-	BEARING AND SEAL KIT
<a href="#">GBK-6565</a>		BEARING AND SEAL KIT
<a href="#">GBK-6573</a>	-	BEARING AND SEAL KIT

Copyright © 2020 PAI Industries, Inc.  
All rights reserved. All content is property of PAI Industries, Inc. and may not be reproduced or redistributed in any form.

Any reference to OEM names or OEM product identification numbers/descriptions/model numbers is for identification only and does not indicate that it is an OEM part. PAI is not affiliated with Mack Truck, Inc.®, Volvo®, Fuller®, Cummins®, Eaton®, Rockwell®, Caterpillar®, Freightliner®, Hendrickson®, Kenworth®, Detroit Diesel®, International®, Peterbilt®, or Dana®. All Manufacturer's names, numbers, symbols and descriptions are used for reference only. It is not implied that any part listed is the product of these manufacturers.

# WASHER

# GWA-5972

[GBK-6637](#)



BEARING AND SEAL KIT

[GBK-6685](#)

BEARING AND SEAL KIT

[GBK-8955](#)

BEARING AND SEAL KIT

[GBK-8956](#)

BEARING AND SEAL KIT

[GBK-8957](#)

BEARING AND SEAL KIT

[GBK-8958](#)

BEARING AND SEAL KIT

[GBK-8963](#)

BEARING AND SEAL KIT

[806870](#)



BEARING AND SEAL KIT

[806872](#)



BEARING AND SEAL KIT

### Cross Reference:

Manufacturer	OEM Number
MACK	233KD240
MACK	223KD262
MACK	25500428

Copyright © 2020 PAI Industries, Inc.  
 All rights reserved. All content is property of PAI Industries, Inc. and may not be reproduced or redistributed in any form.

Any reference to OEM names or OEM product identification numbers/descriptions/model numbers is for identification only and does not indicate that it is an OEM part. PAI is not affiliated with Mack Truck, Inc.®, Volvo®, Fuller®, Cummins®, Eaton®, Rockwell®, Caterpillar®, Freightliner®, Hendrickson®, Kenworth®, Detroit Diesel®, International®, Peterbilt®, or Dana®. All Manufacturer's names, numbers, symbols and descriptions are used for reference only. It is not implied that any part listed is the product of these manufacturers.