

COMPRESSION FITTING

MSL-4134-006



Description: COMPRESSION FITTING
SKU: MSL-4134-006
OEM: 60VL-6
Product Group: CAB
Product Class: PLUMBING FITTINGS
UPC Code: 193807020057
Sell Pack: 6 EA
 (Available to buy in increments of 6)
Weight: 0.02 LBS
Warranty: 2 Years

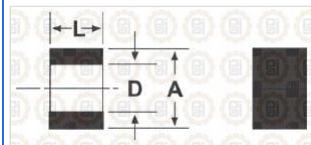


Details:

Compression Fitting
 Metal Tube Vibration Isolation Sleeve
 3/8in Tube Size
 0.344in Flow Diameter
 0.25in Long
 Rubber

E-Catalog Pages:

Catalog Page	Description
--------------	-------------



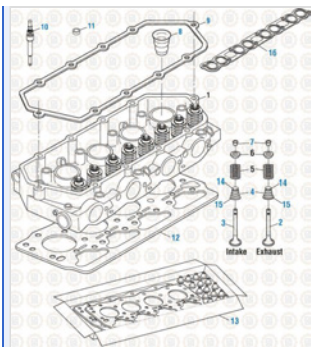
Hardware
 Metal Tube, Vibration Isolation - Sleeves

Copyright © 2020 PAI Industries, Inc.
 All rights reserved. All content is property of PAI Industries, Inc, and may not be reproduced or redistributed in any form.

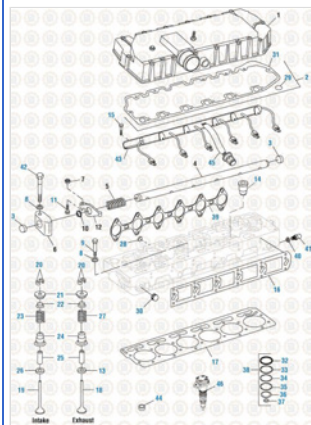
Any reference to OEM names or OEM product identification numbers/descriptions/model numbers is for identification only and does not indicate that it is an OEM part. PAI is not affiliated with Mack Truck, Inc.®, Volvo®, Fuller®, Cummins®, Eaton®, Rockwell®, Caterpillar®, Freightliner®, Hendrickson®, Kenworth®, Detroit Diesel®, International®, Peterbilt®, or Dana®. All Manufacturer's names, numbers, symbols and descriptions are used for reference only. It is not implied that any part listed is the product of these manufacturers.

COMPRESSION FITTING

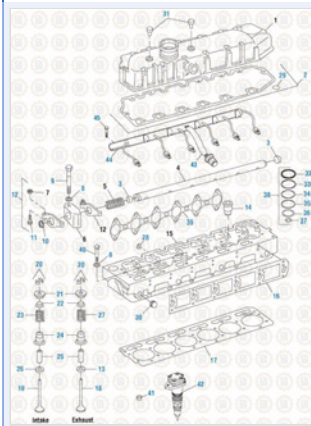
MSL-4134-006



International Engine 2019
Cylinder Head - 7.3 / 444 Series




International Engine 2019
Cylinder Head Components - DT-466E / DT-530E (2000-2003)



International Engine 2019
Cylinder Head Components - DT-466E / DT-530E (1993-1999 HEUI)

Component Of:

SKU	Image	Description
431271		OIL COOLER MOUNTING GASKET KIT

Copyright © 2020 PAI Industries, Inc.
All rights reserved. All content is property of PAI Industries, Inc, and may not be reproduced or redistributed in any form.

Any reference to OEM names or OEM product identification numbers/descriptions/model numbers is for identification only and does not indicate that it is an OEM part. PAI is not affiliated with Mack Truck, Inc.®, Volvo®, Fuller®, Cummins®, Eaton®, Rockwell®, Caterpillar®, Freightliner®, Hendrickson®, Kenworth®, Detroit Diesel®, International®, Peterbilt®, or Dana®. All Manufacturer's names, numbers, symbols and descriptions are used for reference only. It is not implied that any part listed is the product of these manufacturers.

COMPRESSION FITTING

MSL-4134-006

[431296](#)

TURBOCHARGER MOUNTING KIT

Cross Reference:

Manufacturer	OEM Number
MACK	4333-123657R1
MACK	4443-265204R1
NAVISTAR	996625C1
NAVISTAR	123657R1
NAVISTAR	265204R1
MACK	6635-60VL6
NAVISTAR	1812348C1
NAVISTAR	1812348

Copyright © 2020 PAI Industries, Inc.

All rights reserved. All content is property of PAI Industries, Inc, and may not be reproduced or redistributed in any form.

Any reference to OEM names or OEM product identification numbers/descriptions/model numbers is for identification only and does not indicate that it is an OEM part. PAI is not affiliated with Mack Truck, Inc.®, Volvo®, Fuller®, Cummins®, Eaton®, Rockwell®, Caterpillar®, Freightliner®, Hendrickson®, Kenworth®, Detroit Diesel®, International®, Peterbilt®, or Dana®. All Manufacturer's names, numbers, symbols and descriptions are used for reference only. It is not implied that any part listed is the product of these manufacturers.