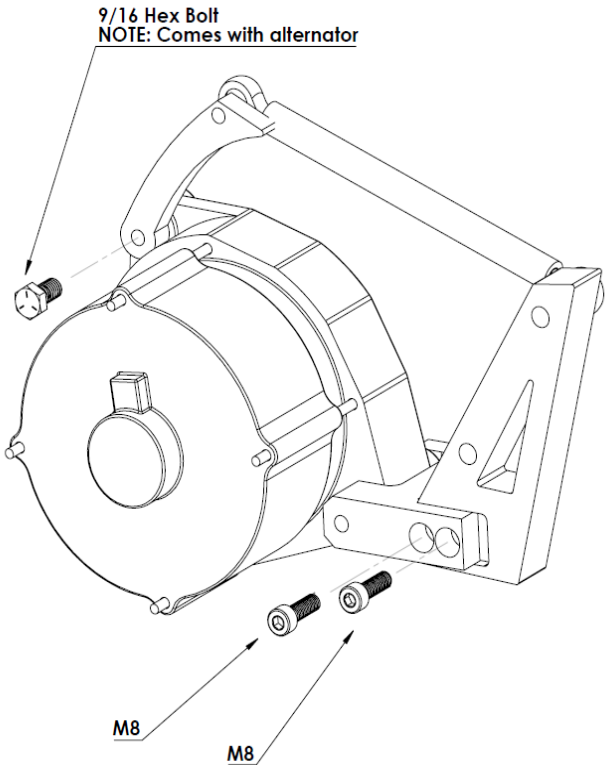
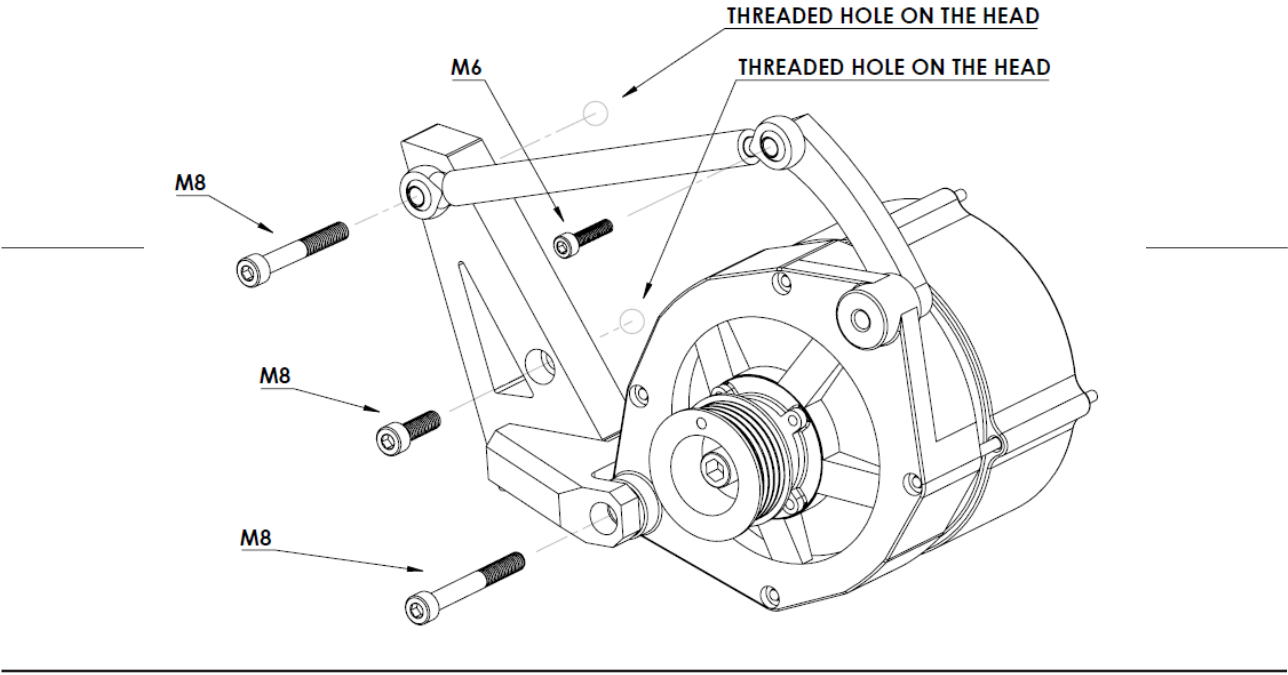


Warning! These instructions must be read and fully understood before beginning the installation. Failure to follow these instructions may result in poor performance, vehicle damage, personal injury, or death. If these instructions are not fully understood, installation should not be attempted.

Installation Instructions

Note: Bracket must be used with cylinder heads that have accessory bolt heads.



The information contained herein is subject to change without notice. The only warranties for Procomp Electronics products and services are set forth in the express warranty statements accompanying such products and services. Nothing herein should be construed as constituting an additional warranty. Procomp Electronics shall not be liable for technical or editorial errors or omissions contained herein.