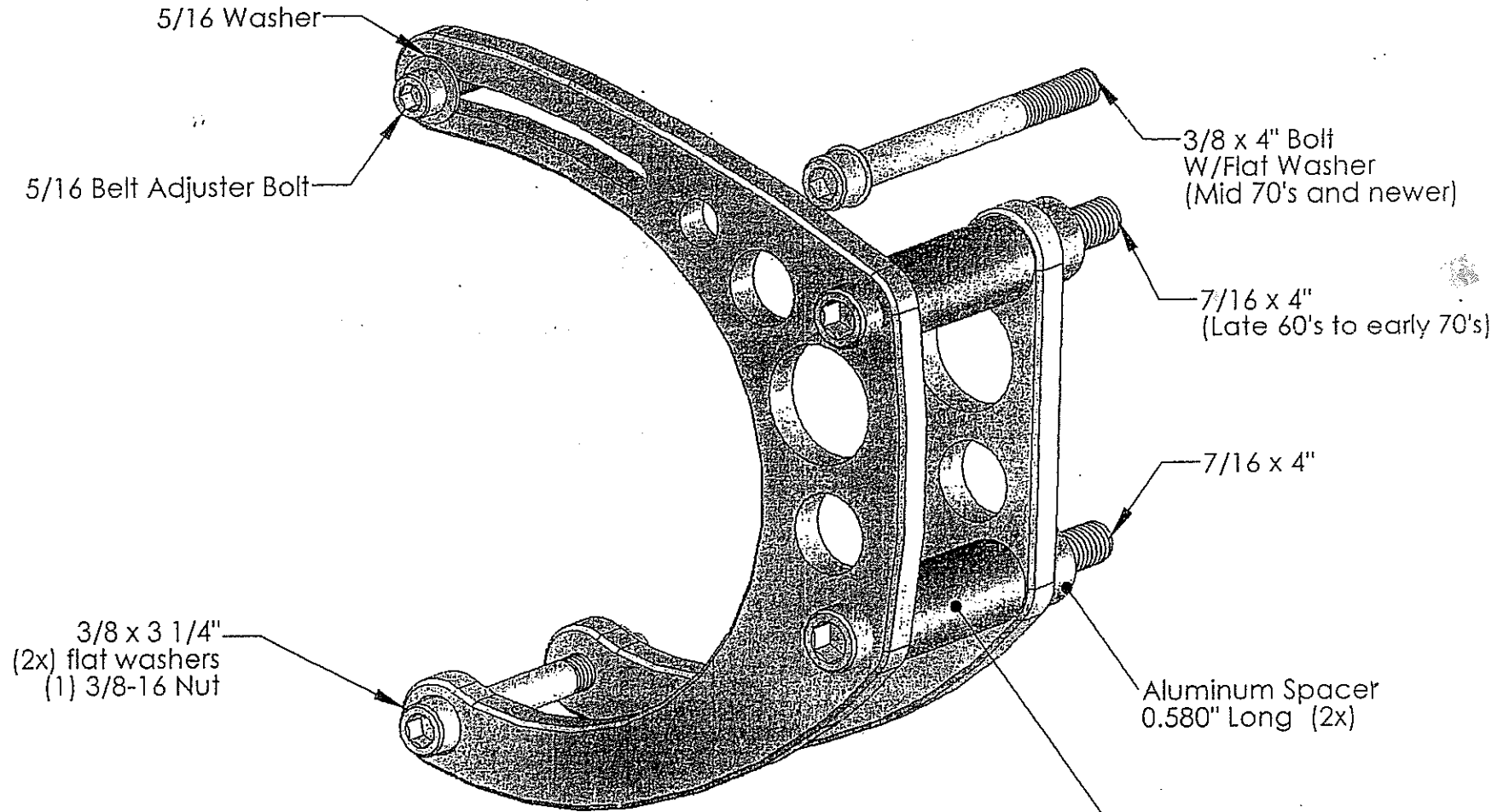




EST. 1979

BIG BLOK CHEVY-ALTERNATOR MOUNT-FOR SHORT PUMP CRANK PULLEY



- Bracket Mounting Bolts are Armor Coat Grade 8 Bolts
- All other hardware is Stainless Steel

[View other performance starting and charging made by PCE on our website.](#)