



## Technical Data Sheet

### Permatex® Undercoating

#### PRODUCT DESCRIPTION

S.I.N.: 834-300

Permatex® Undercoating is an undercoat specially formulated to protect automotive under-bodies from corrosion. The product dries to a firm, flexible, tack-free film, has good abrasion resistance and effective sound-deadening properties.

#### PRODUCT BENEFITS

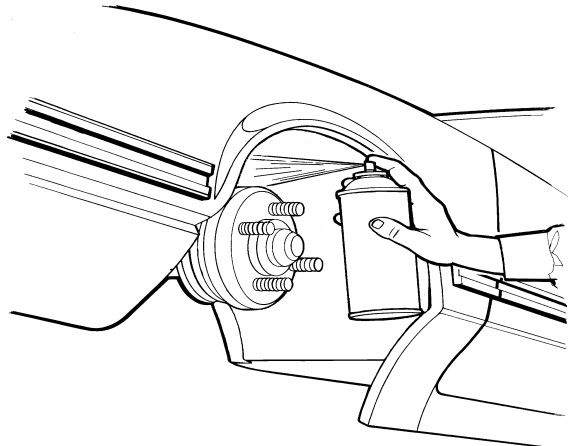
- Seals
- Resists chipping
- Insulates and soundproofs
- Will not sag or drip

#### TYPICAL APPLICATIONS

- Automotive body seams
- Rocker panels
- Wheel wells
- Rust holes
- Tree pruning
- Driveway cracks
- Post preserver

#### DIRECTIONS FOR USE

1. Provide adequate ventilation.
2. For best adhesion, apply to clean, dry surfaces.
3. Tap bottom of can to loosen the ball agitator. If agitator ball does not loosen, shake can until agitator ball is heard. Shake can for at least 5 minutes after hearing the agitator ball. For best results, aerosol can should be at room temperature before spraying.
4. Apply a uniform coating, holding the can 10 to 12 inches from surface to be coated.



5. Multiple thin coats are most effective. Allow 15 to 20 minutes between coats (shake can well before reapplying). Allow to dry for 24 hours.

Note: Avoid application of any undercoating or rust proofing materials closer than 12 inches to any part of

exhaust system or catalytic converter. NEVER spray directly onto exhaust system or catalytic converter. Aerosol product (2 coats) will cover 8 to 10 square feet. This product is NOT considered paintable.

#### For Cleanup

1. Turn can upside-down and spray to clear nozzle.
2. Clean hands with Permatex® brand hand cleaners.
3. Use mineral spirits or kerosene for cleanup.

#### PROPERTIES OF MATERIAL

	Typical Value
Chemical Type	Asphalt
Appearance	Brown/Black liquid film
Odor	Petroleum
Flash Point	Aerosol, contents under pressure, consult MSDS
NFPA 704 Flammability Rating	4 (Highly Flammable)

#### GENERAL INFORMATION

**This product is not recommended for use in pure oxygen and/or oxygen rich systems and should not be selected for use with chlorine or other strong oxidizing materials.**

**For safe handling information on this product, consult the Material Safety Data Sheet, (MSDS).**

#### ORDERING INFORMATION

Part Number	Container Size
80072 (117EA)	20 oz. aerosol can

#### STORAGE

Products shall be ideally stored in a cool, dry location in unopened containers at a temperature between 8\_ to 28\_C (46\_ to 82\_F) unless otherwise labeled. Optimal storage is at the lower half of this temperature range.