



Technical Data Sheet

Permatex[®] Muffler & Tailpipe Putty

PRODUCT DESCRIPTION

Permatex[®] Muffler & Tailpipe Putty is a black sodium silicate based sealer for mufflers and tailpipes that will resist high temperatures.

PRODUCT BENEFITS

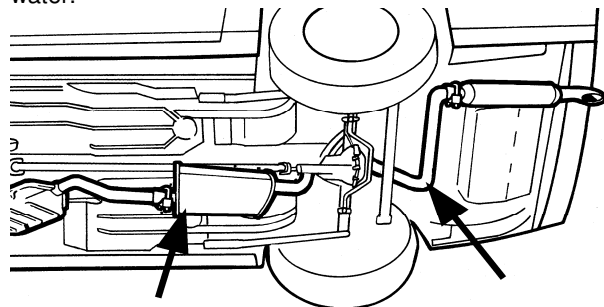
- No mixing required
- Resists temperatures up to 2000°F
- Easy to use
- Seals out poisonous fumes

TYPICAL APPLICATIONS

- Mufflers
- Tailpipes
- Joints
- Catalytic converters

DIRECTIONS FOR USE

1. Clean area with wire brush or scraper.
2. Wet the area to be repaired with water.
3. Apply putty with a putty knife by pressing into hole. If material has hardened in the container, moisten with water.



4. Start vehicles engine and allow to idle for 10 minutes to assist in the drying process. Let the repair dry overnight before using.
5. For large holes, reinforce the repair area with wire or screen mesh before applying putty.

For Cleanup

1. For any cleanup, use water before the material is allowed to dry.
2. Clean hands with Permatex[®] Fast Orange[®] hand cleaner or soap and water.

PROPERTIES OF UNCURED MATERIAL

| | Typical Value |
|------------------|-----------------|
| Chemical Type | Sodium silicate |
| Appearance | Grey paste |
| Odor | No odor |
| Specific Gravity | 1.8 |
| Viscosity | Heavy Paste |
| Flash Point | None |

TYPICAL CURING PERFORMANCE

Permatex[®] Muffler & Tailpipe Putty cures by the evaporation of water and further cures with heat. Full cure will be affected after 24 hours of drying and driving at the maximum operation temperature.

TYPICAL ENVIRONMENTAL RESISTANCE

| Temperature Resistance | Typical Values |
|------------------------|----------------|
| Continuous, °C (°F) | 1093 (2000) |

Chemical / Solvent Resistance

The fully cured product retains effective properties when in contact with water.

GENERAL INFORMATION

This product is not recommended for use in pure oxygen and/or oxygen rich systems and should not be selected for use with chlorine or other strong oxidizing materials.

For safe handling information on this product, consult the Material Safety Data Sheet, (MSDS).

ORDERING INFORMATION

| Part Number | Container Size |
|--------------|----------------------------|
| 80333 (MP-1) | 4 oz. foil pouches, carded |

STORAGE

Products shall be ideally stored in a cool, dry location in unopened containers at a temperature between 8° to 28°C (46° to 82°F) unless otherwise labeled. Optimal storage is at the lower half of this temperature range. To prevent contamination of unused product, do not return any material to its original container.