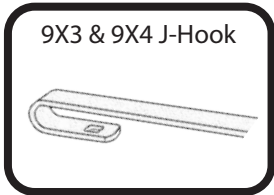


# PIAA

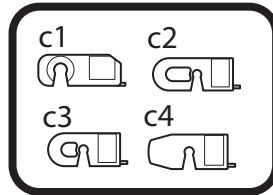
## SUPER SILICONE WIPER INSTALLATION

Congratulations on your recent purchase. We have been producing high performance vision products since 1963. Our motto is to bring the highest quality products to market that our customers can use with pride and confidence. Our heritage in the racing and motorsports world has allowed us to develop products with top racing teams in the world. These relationships have allowed us to develop the most high performing and durable products on the market today.

\* Correct arm types for Super Silicone Wipers



\* Adapters Included

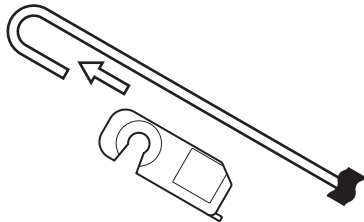


### ⚠ CAUTION!!!

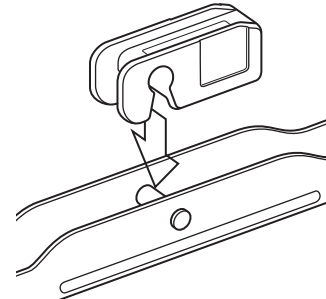
- \* Prep-pack is not for consumption
- \* Avoid eye contact
- \* In case of eye contact flush immediately
- \* If pad contacts paint, clean immediately with water
- \* Prep pack chemical contents:
  - Isopropyl alcohol - 98%
  - Ethanol (solution of silicone) - 2%

### Let's install your new wipers

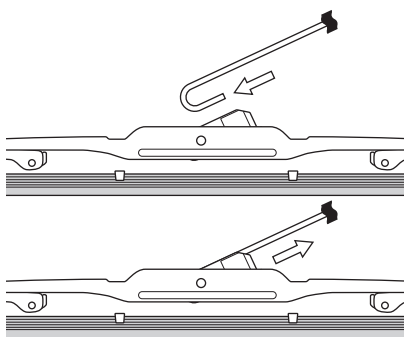
1. Insert adapter into the wiper arm to ensure proper fit.



2. Install the proper adapter to the wiper blade by pressing down on the adapter. The adapter will snap into place.



3. Install the wiper blade onto the arm by inserting the wiper arm over the adapter and pulling backwards to lock in place.



### Silicone Prep-Pack Activator

- 1) Make sure the windshield is dry and debris free.
- 2) Remove the prep-pad from the package and apply in circular motions to the entire windshield. Making sure to even coat the entire windshield.
- 3) Run the PIAA wipers at a medium speed for 3-5 minutes to help the Silicone on the rubber activate to the windshield. There will be a slight haze to the glass, wipe with a dry towel.

Check out the collection of wiper blades we offer.