

This guide is intended to guide you through the basic functions of this unit. For details, please refer to the Operation manual stored on the website.

### Before You Start

**Thank you for purchasing this PIONEER product**  
To ensure proper use, please read through this guide before using this product. It is especially important that you read and observe **WARNINGS** and **CAUTIONS** in this guide. Please keep the guide in a safe and accessible place for future reference.

FCC ID: EW4C95  
MODEL NO.: DEH-S7200BHS  
IC: 4293A-C95  
This device contains licence-exempt transmitter(s)/receiver(s) that complies with Part 15 of FCC Rules and Innovation, Science, and Economic Development Canada licence-exempt RSS(s). Operation is subject to the following two conditions: (1) this device may not cause interference, and (2) this device must accept any interference, including interference that may cause undesired operation of this device.  
This transmitter must not be co-located or operated in conjunction with any other antenna or transmitter.  
The Bluetooth antenna cannot be removed (or replaced) by user.  
This equipment complies with FCC/ISED radiation exposure limits set forth for an uncontrolled environment and meets the FCC radio frequency (RF) Exposure Guidelines and RSS-102 of the ISED radio frequency (RF) Exposure Guidelines. This equipment has very low levels of RF energy that is deemed to comply without maximum permissive exposure evaluation (MPE). But it is desirable that it should be installed and operated keeping the radiator at least 20 cm or more away from persons' body (excluding extremities: hands, wrists, feet and ankles).

Alteration or modifications carried out without appropriate authorization may invalidate the user's right to operate the equipment.

### Quick start guide

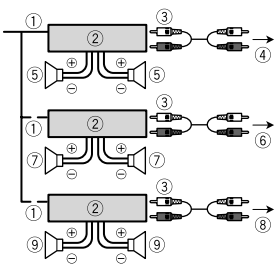
**Important (Serial number)**  
The serial number is located on the bottom of this unit. For your own security and convenience, be sure to record this number on the enclosed warranty card.

QRD3753-A

- 1 To power cord input
- 2 Front left speaker (STD) or high range left speaker (NW)
- 3 Front right speaker (STD) or high range right speaker (NW)
- 4 Rear left speaker (STD) or middle range left speaker (NW)
- 5 Rear right speaker (STD) or middle range right speaker (NW)
- 6 White/black
- 7 Gray/black
- 8 Green
- 9 Green/black
- 10 Violet
- 11 Violet/black
- 12 Black (chassis ground)

### Power amp (sold separately)

Perform these connections when using the optional amplifier.

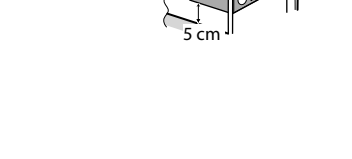
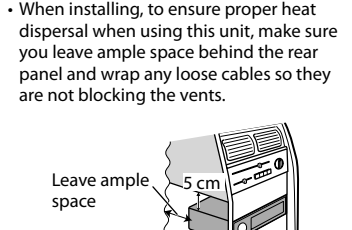


- 1 System remote control  
Connect to blue/white cable
- 2 Power amp (sold separately)
- 3 Connect with RCA cables (sold separately)
- 4 To rear output (STD) or middle range output (NW)
- 5 Rear speaker (STD) or middle range speaker (NW)
- 6 To front output (STD) or high range output (NW)
- 7 Front speaker (STD) or high range speaker (NW)
- 8 To subwoofer output
- 9 Subwoofer
- 10 Not used.
- 11 Subwoofer (4 Ω) × 2
- 12 Orange/white  
Connect to a car's illumination signal.

### Installation

**Important**  
• Check all connections and systems before final installation.  
• Do not use unauthorized parts as this may cause malfunctions.  
• Consult your dealer if installation requires drilling of holes or other modifications to the vehicle.

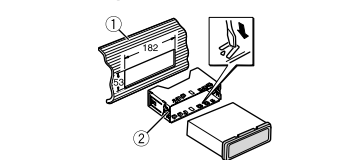
- Do not install this unit where:
  - It may interfere with operation of the vehicle.
  - It may cause injury to a passenger as a result of a sudden stop.
- Install this unit away from hot places such as near the heater outlet.
- Optimum performance is obtained when the unit is installed at an angle of less than 60°.
- When installing, to ensure proper heat dispersal when using this unit, make sure you leave ample space behind the rear panel and wrap any loose cables so they are not blocking the vents.



- Leave ample space
- 1 Screw
  - 2 Mounting bracket
  - 3 Dashboard or console
- Use either truss (5 mm × 9 mm) or flush surface (5 mm × 9 mm) screws, depending on the bracket screw holes.

### DIN mount installation

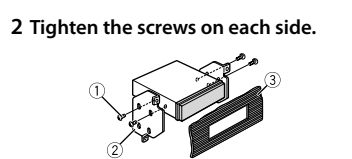
- 1 Insert the supplied mounting sleeve into the dashboard.
- 2 Secure the mounting sleeve by using a screwdriver to bend the metal tabs (90°) into place.



- 1 Dashboard
  - 2 Mounting sleeve
- Make sure that the unit is installed securely in place. An unstable installation may cause skipping or other malfunctions.

**When not using the supplied mounting sleeve**

- 1 Determine the appropriate position where the holes on the bracket and the side of the unit match.



- 1 Screw
  - 2 Mounting bracket
  - 3 Dashboard or console
- Use either truss (5 mm × 9 mm) or flush surface (5 mm × 9 mm) screws, depending on the bracket screw holes.

### Note

This equipment has been tested and found to comply with the limits for a Class B digital device, pursuant to Part 15 of the FCC Rules. These limits are designed to provide reasonable protection against harmful interference in a residential installation. This equipment generates, uses and can radiate radio frequency energy and, if not installed and used in accordance with the instructions, may cause harmful interference to radio communications. However, there is no guarantee that interference will not occur in a particular installation. If this equipment does cause harmful interference to radio or television reception, which can be determined by turning the equipment off and on, the user is encouraged to try to correct the interference by one or more of the following measures:  
- Reorient or relocate the receiving antenna.  
- Increase the separation between the equipment and receiver.  
- Connect the equipment into an outlet on a circuit different from that to which the receiver is connected.  
- Consult the dealer or an experienced radio/TV technician for help.

### The Safety of Your Ears is in Your Hands

Get the most out of your equipment by playing it at a safe level—a level that lets the sound come through clearly without annoying blaring or distortion and, most importantly, without affecting your sensitive hearing. Sound can be deceiving. Over time, your hearing "comfort level" adapts to higher volumes of sound, so what sounds "normal" can actually be loud and harmful to your hearing. Guard against this by setting your equipment at a safe level BEFORE your hearing adapts.

**ESTABLISH A SAFE LEVEL:**  
• Set your volume control at a low setting.  
• Slowly increase the sound until you can hear it comfortably and clearly, without distortion.  
• Once you have established a comfortable sound level, set the dial and leave it there.

**BE SURE TO OBSERVE THE FOLLOWING GUIDELINES:**  
• Do not mix the volume so high that you can't hear what's around you.  
• Use caution or temporarily discontinue use in potentially hazardous situations.  
• Do not use headphones while operating a motorized vehicle; the use of headphones may create a traffic hazard and is illegal in many areas.

### WARNING

- Rear visibility systems (backup cameras) are required in certain new vehicles sold in the U.S. and Canada. U.S. regulations began according to a two year phase-in on May 1, 2016, and both the U.S. and Canada require that all such vehicles manufactured on or after May 1, 2018 have rear visibility systems. **Owners of vehicles equipped with compliant rear visibility systems should not install or use this product in a way that alters or disables that system.** If you are unsure whether your vehicle has a rear visibility system subject to the U.S. or Canadian regulations, please contact the vehicle manufacturer or dealer.
- **Do not attempt to install or service this product by yourself. Installation or servicing of this product by persons without training and experience in electronic equipment and automotive accessories may be dangerous and could expose you to the risk of electric shock, injury or other hazards.**
- Do not attempt to operate the unit while driving. Make sure you pull off the road and park your vehicle in a safe location before attempting to use the controls on the device.
- This product contains chemicals known to the State of California and other governmental entities to cause cancer and birth defects or other reproductive harm. **Wash hands after handling.**

### CAUTION

- Do not allow this unit to come into contact with moisture and/or liquids. Electrical shock could result. Also, damage to this unit, smoke, and overheating could result from contact with liquids.
- Always keep the volume low enough to hear outside sounds.
- This product is evaluated in moderate and tropical climate condition under the Audio, video and similar electronic apparatus - Safety requirements, IEC 60965.

This product is a Class 1 laser product classified under the safety standard, IEC 60825-1:2014.

CLASS 1 LASER PRODUCT

**CAUTION:**  
USE OF CONTROL OR ADJUSTMENT OR PERFORMANCE OF PROCEDURES OTHER THAN THOSE SPECIFIED HEREIN MAY RESULT IN HAZARDOUS RADIATION EXPOSURE.  
**CAUTION:**  
THE USE OF OPTICAL INSTRUMENTS WITH THIS PRODUCT WILL INCREASE EYE HAZARD.

### After-sales service for Pioneer products

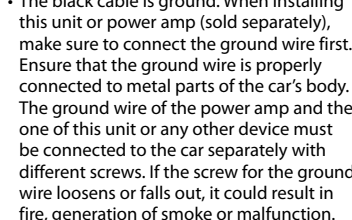
Please contact the dealer, distributor from where you purchased this unit or the authorized PIONEER Service Station for after-sales service or any other information. In case the necessary information is not available, please contact the companies listed below.  
Please do not ship your unit to the companies at the addresses listed below for repair without contacting them in advance.

### Connections

In the following, "NW" represents network mode and "STD" represents standard mode. According to the connectors you have established, change the speaker mode to standard mode (STD) or network mode (NW).

### WARNING

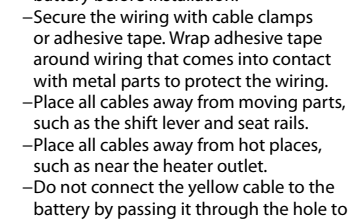
- When speaker output is used by 4 channels, use speakers rated over 50 W (maximum input power) and between 4 Ω to 8 Ω (impedance value). Do not use 1 Ω to 3 Ω speakers for this unit.
- When rear speaker output is used by a 2 Ω subwoofer, use speakers rated for over 70 W.
- Please refer to connections for a connection method.
- The black cable is ground. When installing this unit or power amp (sold separately), make sure to connect the ground wire first. Ensure that the ground wire is properly connected to metal parts of the car's body.
- When rear speaker output is used, one of this unit or any other device must be connected to the car separately with different screws. If the screw for the ground wire loosens or falls out, it could result in fire, generation of smoke or malfunction.



\*1 Not supplied for this unit

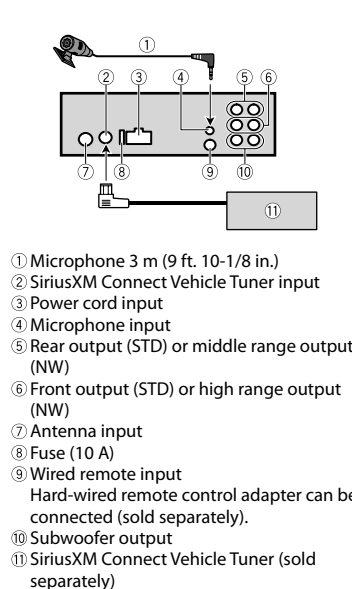
### Important

- When installing this unit in a vehicle without an ACC (accessory) position or the red cable to the terminal that detects operation of the ignition key may result in battery drain.
- Use this unit with a 12-volt battery and negative grounding only. Failure to do so may result in a fire or malfunction.
- To prevent a short-circuit, overheating or malfunction, be sure to follow the directions below.
  - Disconnect the negative terminal of the battery before installation.
  - Secure the wiring with cable clamp or adhesive tape. Wrap adhesive tape around wiring that comes into contact with metal parts to protect the wiring.
  - Place all cables away from moving parts, such as near the heater outlet.
  - Do not connect the yellow cable to the battery by passing it through the hole to the engine compartment.
  - Cover any disconnected cable connectors with insulating tape.
  - Do not shorten any cables.
  - Never cut the insulation of the power cable of this unit in order to share the power with other devices. The current capacity of the cable is limited.
  - Use a fuse of the rating prescribed.
  - Never wire the negative speaker cable directly to ground.
  - Never band together negative cables of multiple speakers.



- Two devices connected to the car separately (ground wires)
- Metal parts of car's body

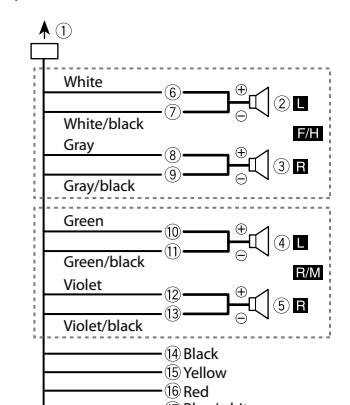
### This unit



- 1 Microphone 3 m (9 ft, 10-1/8 in.)
- 2 SiriusXM Connect Vehicle Tuner input
- 3 Power cord input
- 4 Microphone input
- 5 Rear output (STD) or middle range output (NW)
- 6 Front output (STD) or high range output (NW)
- 7 Antenna input
- 8 Fuse (10 A)
- 9 Wind remote input
- 10 Hand-wired remote control adapter can be connected (sold separately).
- 11 Subwoofer output
- 12 SiriusXM Connect Vehicle Tuner (sold separately)

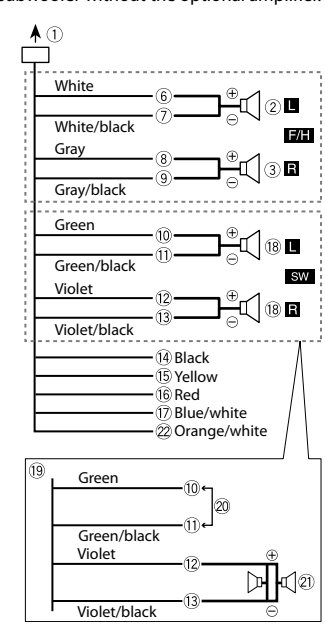
### Power cord

Perform these connections when not connecting a rear speaker or middle range speaker lead to a subwoofer.



- 1 White
- 2 White/black
- 3 Gray
- 4 Gray/black
- 5 Green
- 6 Green/black
- 7 Violet
- 8 Violet/black
- 9 Yellow
- 10 Black
- 11 Red
- 12 Blue/white
- 13 Orange/white

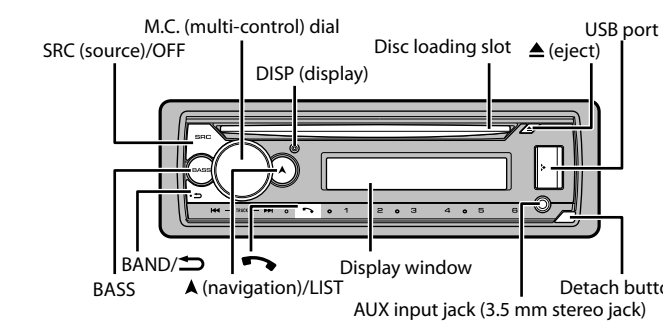
Perform these connections when using a subwoofer without the optional amplifier.



**Important**  
In the case of 11 above, two 4 Ω subwoofers wired in parallel will represent a 2 Ω load.

### Basic operation

#### DEH-S7200BHS



### About the main menu

You can adjust various settings in the main menu.

- 1 Press the **M.C.** dial to display the main menu.
- 2 Turn the **M.C.** dial to select one of the categories below, then press to confirm.
  - FUNCTION settings
  - AUDIO settings
  - SYSTEM settings
  - ILLUMINATION settings
  - MIXTRAX settings
- 3 Turn the **M.C.** dial to select the options, then press to confirm.

### Frequently used operations

Purpose	Operation
Turn on the power	Press <b>SRC/OFF</b> to turn on the power.
Adjust the volume	Press and hold <b>SRC/OFF</b> to turn off the power.
Select a source	Turn the <b>M.C.</b> dial.
Change the display information	Press <b>SRC/OFF</b> repeatedly.
Return to the previous display/list	Press <b>DISP</b> repeatedly.
Return to the normal display from the menu	Press and hold <b>BAND/</b> .
Change the display brightness	Press and hold <b>BAND/</b> .
Boost the bass level	Press <b>BASS</b> . • You can select the bass level ([HI] or [LOW]) in [D.BASS].

### Setup operation

When you turn the ignition switch to ON after installation, the setup menu appears in the display.

- **WARNING**  
Do not use the unit in standard mode when a speaker system for network mode is connected to the unit. Do not use the unit in network mode when a speaker system for standard mode is connected to the unit. This may cause damage to the speakers.

### HD Radio™ operation

- 1 Turn the **M.C.** dial to select the options, then press to confirm. To proceed to the next menu option, you need to confirm your selection.

Menu Item	Description
<b>LANGUAGE</b>	Select the language to display the text information from a compressed audio file.
[ENG](English), [ESP](Spanish), [FRA] (Canadian French)	
<b>CLOCK SET</b>	Set the clock.
1 Turn the <b>M.C.</b> dial to adjust the hour, then press to confirm.	
The indicator moves to the minute setting automatically.	
2 Turn the <b>M.C.</b> dial to adjust the minute, then press to confirm.	
Switch between two operation modes: the 2-way network mode (NETWORK) and the standard mode (STANDARD) according to the connections you have established.	
After selecting the appropriate mode, turn the <b>M.C.</b> dial to select [YES], then press to confirm.	
• You cannot complete the setup menu without setting the [SPEAKER MODE].	
<b>SPEAKER MODE</b>	[STANDARD], [NETWORK]

- 2 [QUIT:YES] appears. To return to the first item of the setup menu, turn the **M.C.** dial to select [QUIT:NO], then press to confirm.
- 3 Press the **M.C.** dial to confirm the settings.

### Receiving preset stations

- 1 Press **SRC/OFF** to select [HD RADIO].
- 2 Press **BAND/** to select [HD RADIO].  
[FM1] ↔ [FM2] ↔ [FM3] ↔ [AM]
- 3 Press a number button (1/Δ to 6/∇).

### Best stations memory (BSM)

- 1 After selecting the band, press the **M.C.** dial to display the main menu.
- 2 Turn the **M.C.** dial to select [FUNCTION], then press to confirm.
- 3 Turn the **M.C.** dial to select [BSM], then press to confirm.

### To store stations manually

- 1 While receiving the station you want to store, press and hold one of the number buttons (1/Δ to 6/∇) until it stops flashing.

### CD/USB/iPhone/AUX operation

(iPhone source is not available when [USB MTP] is set to [ON] in the SYSTEM settings.)

- 1 Turn on the Bluetooth function of the device.
- 2 Select the unit name shown in the device display.
- 3 Make sure the same 6-digit number appears on this unit and the device.
- 4 Select [YES].

To eject a disc, stop playback first then press ▲.

### USB/iPhone

- 1 Open the USB port cover.
- 2 Plug in the USB device/iPhone using an appropriate cable.

### MTP connection

A device installed with Android OS 4.0 or most of later versions can be connected to the unit via MTP, using the cable supplied with the device. However, depending on the connected device, OS version or the numbers of the files in the device, audio files/songs may not be able to be played back via MTP.

**NOTE**  
If you use an MTP connection, [USB MTP] needs to be set to [ON] in the SYSTEM settings.

### AUX

- 1 Insert the stereo mini plug into the AUX input jack.
- 2 Press **SRC/OFF** to select [AUX IN] as the source.

### Bluetooth connection

Up to two Bluetooth telephones can be connected simultaneously.

- 1 Turn on the Bluetooth function of the device.
- 2 Select the unit name shown in the device display.
- 3 Make sure the same 6-digit number appears on this unit and the device.
- 4 Select [YES].

### Bluetooth telephone

#### Basic operations

Purpose	Operation
Answer an incoming call	Press any button when a call is received.
End a call	Press <b>END</b> .
Reject an incoming call	Press and hold <b>END</b> when a call is received.

### Activating voice recognition mode

- 1 Press and hold **END** and then talk into the microphone to input voice commands.

To exit the voice recognition mode, press **BAND/**.

### Making a connection with Pioneer Smart Sync

Pioneer Smart Sync is the application that intelligently brings your maps, messages, and music together in the vehicle.



**WARNING**  
Do not attempt to operate the application while driving. Make sure to pull off the road and park your vehicle in a safe location before attempting to use the controls on the application.

- 1 Enter the SYSTEM menu (refer to "About the main menu").
- 2 Turn the **M.C.** dial to select [APP CONTROL], then press to confirm.
- 3 Turn the **M.C.** dial to select one of the below.
  - Select [WIRED] for the USB connection.
  - Select [BLUETOOTH] for the Bluetooth connection.
- 4 Turn the **M.C.** dial to select [AUTO APP CONN], then press to confirm.
- 5 Turn the **M.C.** dial to select [ON], then press to confirm.
- 6 Connect this unit with the mobile device via USB or Bluetooth.

**Pioneer Smart Sync on the iPhone/Android device starts automatically.**  
**NOTE**  
Regardless of whether the [AUTO APP CONN] setting is set to [ON] or [OFF], you can also perform the following to start Pioneer Smart Sync.  
- For devices other than the USB-connected Android device, press **SRC/OFF** to select any source and press and hold the **M.C.** dial.  
- For iPhone, launch Pioneer Smart Sync on the mobile device.

### Preparing for the SiriusXM Satellite Radio service

- 1 Press **SRC/OFF** to select [SIRIUSXM].
- 2 Press **LEFT/RIGHT** to select Channel 0. The Radio ID appears on the display. In addition, the Radio ID is located on the bottom of the SiriusXM Connect Vehicle Tuner.
- 3 Activate the SiriusXM service online or by phone. For US Subscriptions:  
  
4 [SUBSCRIPTION UPDATED] appears on the display when your SiriusXM Connect Vehicle Tuner has been subscribed successfully. Press any key to clear the activation message.