

Pioneer

TS-A250D4 10" Dual 4Ω Voice Coil Subwoofer

A-series sound design

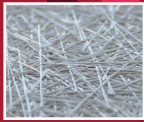
- High power handling and high sensitivity
- Powerful and accurate bass
- Frequency matched to Pioneer A-series full-range loudspeakers




- 10" glass fiber and mica interlaced Injection Molded Polypropylene (IMPP) cone construction
- Butyl rubber surround and aramid fiber spider for strength and linearity during high excursion
- Oversized 56 oz double stacked magnet and vented pole yoke for increased power handling
- Smooth and seamless integration with Pioneer A-series full-range automotive loudspeakers

FEATURES AND TECHNOLOGY


- Butyl rubber surround
- Aramid fiber spider
- 8 AWG push-type input terminals
- Extended voice coil, single spider design for increased linearity and high excursion
- Oversized motor with double stacked magnets
- Glass fiber and mica interlaced IMPP cone provides powerful and accurate bass
- Reinforced spider mounting collar
- 4-layer, copper voice coil



Glass fiber

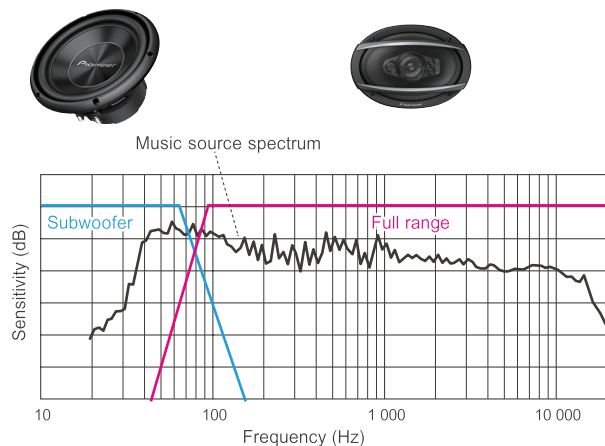


Mica



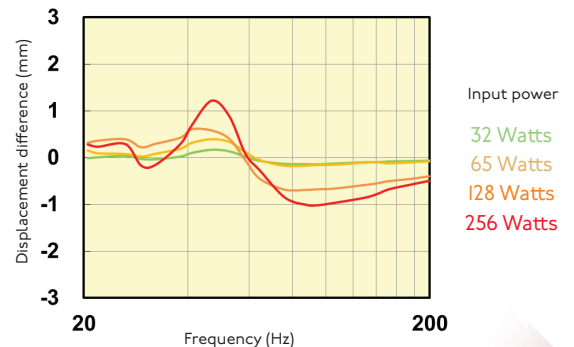
INJECTION MOLDED CONE™

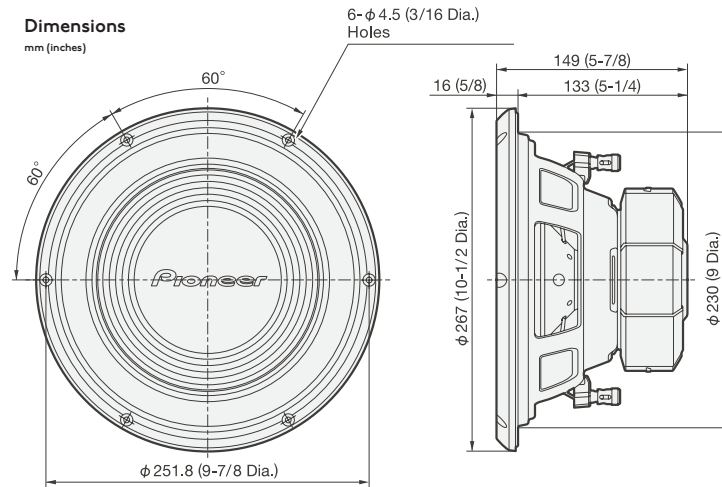
EASILY UPGRADE TO HIGH PERFORMANCE



Pioneer's A-series sound design purposely matches the subwoofer and full-range loudspeakers to provide seamless and smooth sound characteristics with dynamic, high impact bass that lets you hear and feel the music.

Linear, balanced motion in both the forward and reverse directions of cone movement is critical to accurate reproduction of recorded sound waves. Careful engineering of the entire motor structure and suspension system (voice coil, magnet, surround and spider) is required maintain a high level of linearity, even during high output / high excursion transients.





Pioneer A-series Subwoofers	TS-A250D4	TS-A300D4 (also available)
System Type	Component subwoofer	Component subwoofer
Sound Pressure Level (Sensitivity)	74dB (± 1.5dB)	77dB (± 1.5dB)
Frequency Range	20 Hz to 2 kHz	20 Hz to 2.3 kHz
Continuous Power Handling (RMS)	400 Watts	500 Watts
Maximum Peak Power Handling	1300 Watts	1500 Watts
Nominal Impedance	4Ω Dual Voice Coil (DVC)	4Ω Dual Voice Coil (DVC)
Woofer Cone Diameter	10"	12"
Woofer Cone Material	Glass fiber and mica reinforced Injection Molded Polypropylene (IMPP)	Glass fiber and mica reinforced Injection Molded Polypropylene (IMPP)
Woofer Surround	Butyl Rubber	Butyl Rubber
Basket Material	Stamped Steel	Stamped Steel
Spider	Aramid Fiber (single)	Polyester-Cotton / Cotton (double)
Magnet Material	Double stacked ferrite	Double stacked ferrite
Magnet Weight	56 oz	60 oz
Voice Coil Former Material	Aluminum	Kapton
Voice Coil Wire Material	Copper, round wire, 4-layer	Copper, round wire, 4-layer
Mounting Depth	5.25"	5.8"
Fs (Hz)	30 Hz	25 Hz
Qts	0.59	0.69
Vas (liters • cu ft.)	36.6 • 1.29	87.1 • 3.07
Xmax (mm • inch)	10.8 • 0.43	10.1 • 0.4
Sealed Enclosure Volume cu ft. (min • rec • max)	0.5 • 0.7 • 0.8	0.85 • 1.25 • 1.75
Ported Enclosure Volume cu ft. (min • rec • max)	0.6 (2"x 6" port) • 0.7 (2"x 5" port) • 0.8 (2"x 4" port)	1.25 (3"x 6" port) • 1.5 (3"x 6.5" port) • 2.0 (3"x 4" port)

Frequency matched Pioneer A-series full-range speakers available in the following sizes and applications:

TS-A6960F, TS-A6970F, TS-A6990F (6"x 9") • TS-A6880F (6"x 8") • TS-A1670F, TS-A1680F (6.5")
 TS-A1370F (5-1/4") • TS-A4670F (4"x 6")

⚠ WARNING: Over time, your hearing "comfort level" adapts to higher volumes of sound, so that what sounds "normal" can actually be doing harm. To protect against hearing loss, set your equipment's volume at a low setting, slowly increase it until you can hear it comfortably and clearly, and leave it there. Do not turn up the volume so high that you can't hear what's around you.

Note: Specifications, designs, and user interfaces are subject to modification without notice. Product colors and illumination may differ in photographs from actual appearance due to effects of printing and photography.

PIONEER and the Pioneer logo are trademarks or registered trademarks of Pioneer Corporation. All other brand, product names, or logos are trademarks or registered trademarks of their respective holders.

Pioneer Electronics (USA) Inc. proudly supports and encourages you to support the Consumer Technology Association (CTA), Mobile Electronics Certification Program (MECP) for installers and the Specialty Equipment Market Association (SEMA).

