



PIT-PAL PRODUCTS

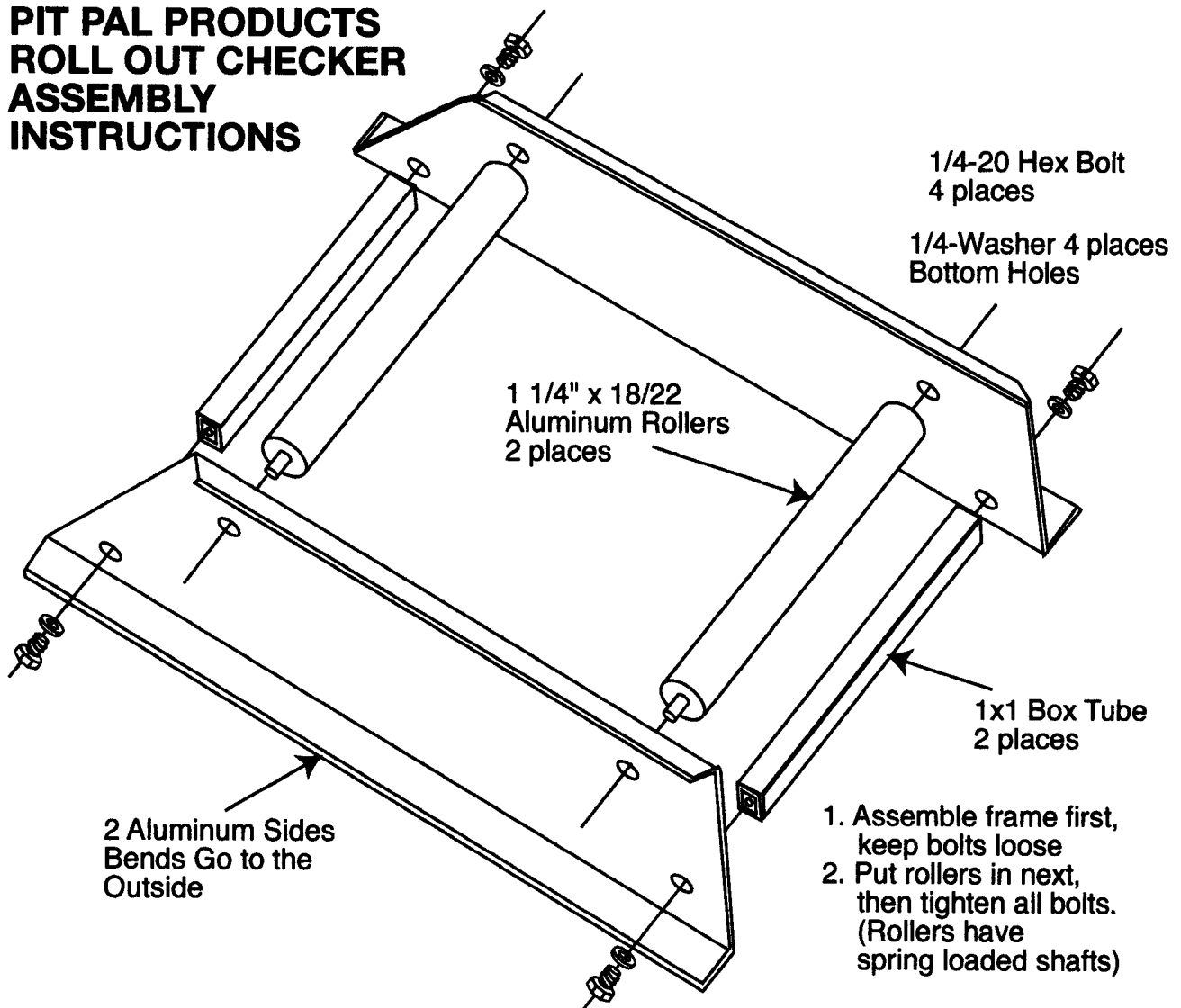
THANK YOU FOR CHOOSING PIT PAL PRODUCTS!
The ORIGINAL Trailer accessories Company

YOUR PURCHASE IS GREATLY APPRECIATED!
Please continue to choose Pit Pals for all your organizational needs
in the trailer, shop or at the track!

ASSEMBLY INSTRUCTIONS FOR ROLL OUT CHECKER Part #1000/1001

These units offer an easy and hassle free way to measure circumference rollout.
Fabricated from sturdy aluminum, these Roll Out Checkers are available
in 18" width (Part #1000) or 22" width (Part #1001)

PIT PAL PRODUCTS ROLL OUT CHECKER ASSEMBLY INSTRUCTIONS



Form No.1000/1001/702 Rev 1/01